

**51975**



**IMPORTANT DOCUMENTS ENCLOSED**

**CAUTION:**

To reduce the risk of injury due to hot water burns, make sure the enclosed labels are applied where specified on the label.

---

**DOCUMENTOS IMPORTANTES INCLUIDOS**

**AVISO:**

Para reducir el riesgo de lesión por quemaduras de agua caliente, asegúrese que las etiquetas incluidas se han aplicado donde se ha especificado en la etiqueta.

---

**DOCUMENTS IMPORTANTS À L'INTÉRIEUR**

**MISE EN GARDE :**

Pour réduire le risque d'ébouillantage, veuillez apposer les étiquettes fournies aux endroits indiqués sur celles-ci.

**51975**

**NOTICE TO INSTALLER:** Place this label on the water heater next to the temperature adjustment knob.

**WARNING:**

These series of tub/shower valves do not adjust automatically for changes in temperature at the hot water heater or inlet. If the temperature setting of the hot water heater or inlet is changed, the setting on these valves **must be adjusted manually!** Failure to re-adjust the valve may result in hot water burns or extreme cold resulting from variations in line pressure (such as when a dishwasher or washing machine is in use while you are taking a shower). After installation, verify that the rotational limit stop (13/14/17 series) or temperature knob (17T series) on the valve is set so that changes in line pressure or temperature do not result in uncomfortable water temperature changes. **If the temperature setting of the hot water heater or inlet is changed after installation of the valve, the setting of the rotational limit stop or temperature knob also must be changed!** Consult the installation instruction sheet for instructions on how to make this setting, or call us at 1-800-345-DELTA.

**AVISO AL INSTALADOR:** Coloque esta etiqueta en el calentador de agua al lado de la perilla para el ajuste de temperatura.

**AVISO:**

Esta serie de válvulas para bañeras/regaderas no se ajustan automáticamente a los cambios de temperatura en el calentador de agua o en el agua de entrada. Si el ajuste de la temperatura del calentador de agua o la temperatura del agua que entra cambia ¡El ajuste de estas válvulas se debe hacer manualmente! El no reajustar la válvula puede resultar en quemaduras por agua caliente o temperaturas de agua extremadamente frías resultando en variaciones de presión y temperatura (como cuando el fregador de platos o la lavadora están funcionando mientras que se baña). Después de la instalación, verifique que el control o tope del límite rotacional (series 13/14/17) o la perilla del control de temperatura (series 17T) en la válvula está ajustada para que los cambios de presión y de temperatura en la línea no resulten en cambios incómodos de temperatura del agua. **Si el ajuste de la temperatura del calentador de agua o de la entrada de agua se cambia después de la instalación de la válvula, el ajuste del tope del límite rotacional o la perilla de ajuste ¡también se debe cambiar!** Consulte con su hoja de instrucciones de instalación para saber como se ajusta o cambia el ajuste, o llámenos al 1-800-345-DELTA.

**AVIS À L'INSTALLATEUR:** Fixez cette étiquette sur le chauffe-eau près du bouton de réglage de température.

**ATTENTION :**

La soupape de robinet de baignoire ou de douche de cette série ne se règle pas automatiquement en fonction des changements de température de l'eau chaude au chauffe-eau ou de l'eau d'alimentation. En cas de modification du réglage de température du chauffe-eau ou de la température de l'eau d'alimentation, le réglage de cette soupape doit être **modifié manuellement!** Si le réglage de la soupape n'est pas modifié, le robinet pourra permettre l'écoulement d'eau très chaude susceptible de causer l'ébouillantage ou d'eau très froide, sous l'effet des variations de pression et de température dans la tuyauterie d'alimentation (lorsque la douche est utilisée en même temps que le lave-vaisselle ou la machine à laver, par exemple). Après l'installation, assurez-vous que la butée de température maximale (series 13/14/17) ou le bouton de température (series 17T) sur la soupape est réglé de manière que les fluctuations de pression et de température dans la tuyauterie d'alimentation n'entraînent pas de changements de température de l'eau incomfortables. **En cas de modification du réglage de température du chauffe-eau ou de la température de l'eau d'alimentation après l'installation de la soupape, le réglage de la butée de température maximale ou du bouton de température doit être modifié!** Pour régler le bouton de température, consultez la feuille d'instructions d'installation ou appelez-nous au 1-800-345-DELTA.

**NOTICE TO INSTALLER:** Place this label close to the valve where the owner will see it, such as inside the door of a cabinet or vanity.

**WARNING:**

Water temperature changes due to seasonal or other inlet variations, such as changing the setting on the hot water heater may require adjustment of the rotational limit stop (13/14/17 Series) or temperature knob (17T Series) on your tub/shower valve to ensure a safe maximum temperature. These valve series do not automatically adjust for inlet temperature changes. If changes occur and you are not sure how to make the necessary rotational limit stop or temperature knob adjustments, please consult the installation instruction sheet provided with this valve or call 1-800-345-DELTA. These valve series are designed to minimize the effects of outlet water temperature changes due to inlet pressure changes, commonly caused by dishwashers, washing machines, toilets and the like. **They may not provide protection from hot water burns when there is a failure of other temperature controlling devices elsewhere in the plumbing system.** After making the necessary adjustments please fill in the information below. This valve/system has been set by the person listed below to ensure a safe maximum temperature. Any change in the setting may raise the discharge temperature above the limit considered safe and could lead to hot water burns. If this label has not been completed, you should verify that the rotational limit stop or temperature knob has been properly adjusted to suit your individual installation. The installation instruction sheet supplied with the valve provides information on how to make this setting.

**AVISO AL INSTALADOR:** Coloque esta etiqueta cerca de la válvula donde el propietario la pueda ver, tal como dentro de la puerta del gabinete o el tocador.

**AVISO:**

Los cambios de temperatura del agua por variaciones estacionales u otras variaciones en el agua de entrada, como el cambio por el ajuste en el calentador de agua, puede requerir el ajuste del tope del límite rotacional (Series 13/14/17) o ajuste de la perilla para el control de la temperatura (Series 17T) de la válvula de su unidad bañera/regadera para asegurar una temperatura máxima segura. Esta serie de válvulas no se ajusta automáticamente para los cambios de temperatura del agua de entrada. Si cambios ocurren y usted no está seguro como hacer los ajustes necesarios con la perilla para controlar la temperatura, por favor consulte la hoja de instrucciones de instalación proporcionada con esta válvula o llámenos al 1-800-345-DELTA. Las válvulas de esta serie están diseñadas para minimizar los efectos por cambios de temperatura en el agua de entrada por cambios en la presión del agua, comúnmente causados por el uso simultáneo de fregadoras de platos, lavadoras, inodoros y aparatos similares. **Estas pueden no proporcionar protección de quemaduras por el agua caliente cuando hay una falla de otros mecanismos que controlan la temperatura del agua en otro sitio del sistema de plomería.** Después de hacer los ajustes necesarios, por favor escriba la información suministrada a continuación. Esta válvula/sistema ha sido ajustada por la persona indicada a continuación para ayudar a asegurar una temperatura máxima segura. Cualquier cambio al ajuste puede aumentar la temperatura del agua de descarga sobre el límite considerado seguro y puede resultar en quemaduras por agua caliente. Si esta etiqueta no se ha llenado, debe verificar si el control o tope del límite rotacional o la perilla que controla la temperatura han sido correctamente ajustadas al gusto de su instalación individual. La hoja de instrucciones de instalación proporcionada con las válvulas le suministra información sobre como hacer este ajuste.

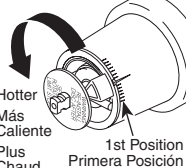
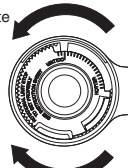
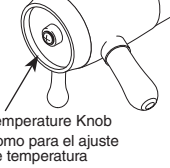
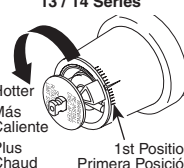

**AVIS À L'INSTALLATEUR:** Fixez cette étiquette près du robinet, à la vue du propriétaire, à l'intérieur de la porte du meuble ou de la coiffeuse, par exemple.

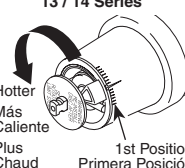
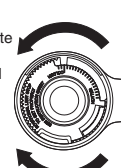
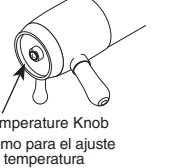
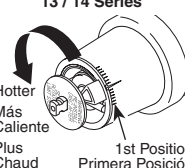
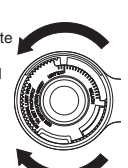
**ATTENTION :**

Les modifications de la température de l'eau attribuables au changement de saison ou à d'autres facteurs, comme la modification du réglage du chauffe-eau, peuvent nécessiter un réglage de la butée de température maximale (series 13/14/17) ou du bouton de température (series 17T) de la soupape de votre robinet pour baignoire et de douche. La soupape de robinet de ces séries ne se règle pas automatiquement en fonction des changements de température de l'eau chaude de l'eau d'alimentation. En cas de modification de la température de l'eau d'alimentation, si vous ne savez pas comment régler la butée de température maximale ou le bouton de température, veuillez consulter le feuillet d'instructions d'installation fourni avec la soupape ou appeler au 1-800-345-DELTA. La soupape de cette série est conçue pour limiter la variation de la température de l'eau pouvant résulter des fluctuations de température et de pression dans la tuyauterie d'alimentation. Ces fluctuations sont habituellement causées par une utilisation simultanée du lave-vaisselle, de la machine à laver, d'un cabinet d'aisances ou d'un autre appareil qui consomme de l'eau. **La soupape peut ne pas protéger l'utilisateur contre l'ébouillantage en cas de défectuosité d'un autre dispositif de régulation de la température de l'eau situé ailleurs dans la tuyauterie.** Après avoir effectué les réglages nécessaires, veuillez inscrire l'information requise ci-dessous. Cet appareil de robinetterie a été réglé par la personne dont le nom figure ci-dessous pour que la température maximale de l'eau soit sans danger. Toute modification du réglage peut occasionner une élévation de la température de l'eau à la sortie du robinet et l'eau qui s'écoulera pourra être suffisamment chaude pour causer l'ébouillantage. Si la présente étiquette n'a pas été remplie, assurez-vous que la butée de température maximale ou le bouton de température a bien été réglé en fonction des caractéristiques de votre installation. La marche à suivre pour faire le réglage figure dans les instructions d'installation fournies avec la soupape.

**TO BE FILLED OUT BY THE INSTALLER / PARA SER LLENADO POR EL INSTALADOR / A REMPLIR PAR L'INSTALLATEUR:**

BY/POR/PAR \_\_\_\_\_ COMPANY/COMPANIA/COMPAGNIE \_\_\_\_\_  
DATE/FECHA/LE \_\_\_\_\_ PHONE/TELÉFONO/TELÉPHONE \_\_\_\_\_

<p>Rotational Limit Stop is located behind the disc. 13 / 14 Series</p>  <p>Hotter Más Caliente Plus Chaud</p> <p>Colder Más Fría Plus Froid</p> <p>1st Position Primera Posición 1ère Position</p>	<p>17 Series</p>  <p>Hotter Más Caliente Plus Chaud</p> <p>Colder Más Fría Plus Froid</p>	<p>17T Series</p>  <p>Temperature Knob Pomo para el ajuste de temperatura Bouton de Température</p>	
	<p>Rotational Limit Stop is located behind the disc. 13 / 14 Series</p>  <p>Hotter Más Caliente Plus Chaud</p> <p>Colder Más Fría Plus Froid</p> <p>1st Position Primera Posición 1ère Position</p>		<p>17 Series</p>  <p>Hotter Más Caliente Plus Chaud</p> <p>Colder Más Fría Plus Froid</p>

<p>Rotational Limit Stop is located behind the disc. 13 / 14 Series</p>  <p>Hotter Más Caliente Plus Chaud</p> <p>Colder Más Fría Plus Froid</p> <p>1st Position Primera Posición 1ère Position</p>	<p>17 Series</p>  <p>Hotter Más Caliente Plus Chaud</p> <p>Colder Más Fría Plus Froid</p>	<p>17T Series</p>  <p>Temperature Knob Pomo para el ajuste de temperatura Bouton de Température</p>	
	<p>Rotational Limit Stop is located behind the disc. 13 / 14 Series</p>  <p>Hotter Más Caliente Plus Chaud</p> <p>Colder Más Fría Plus Froid</p> <p>1st Position Primera Posición 1ère Position</p>		<p>17 Series</p>  <p>Hotter Más Caliente Plus Chaud</p> <p>Colder Más Fría Plus Froid</p>



# MultiChoice® Valve Trim Installation Instructions

## Owners Manual

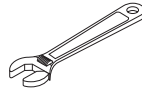
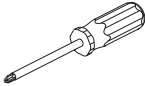
### 13/14, 17 & 17T Series



ASME A112.18.1 / CSA B125.1  
ASSE 1016 (Type -P- or -T-)

Write purchased model number here.

### You May Need



### Table of Contents:

Warranties .....	Page 2
13/14 Series Installation Instructions .....	Pages 3 - 7
17 Series Installation Instructions .....	Pages 8 - 12
17T Series Installation Instructions .....	Pages 13 - 16
Maintenance .....	Pages 16 - 17
Cartridge Summary Reference Sheet .....	Page 18
Replacement Parts .....	Pages 19 - 54

### THIS VALVE MEETS OR EXCEEDS THE FOLLOWING STANDARDS: ASME A112.18.1/ CSA B125.1 and ASSE 1016 (Type -P- or -T-).

CAUTION: This system/device must be set by the installer to ensure safe, maximum temperature. Any change in the setting may raise the discharge temperature above the limit considered safe and may lead to hot water burns.

**NOTICE TO INSTALLER: CAUTION!**—As the installer of this valve, it is your responsibility to properly INSTALL and ADJUST this valve per the instructions given. This valve does not automatically adjust for inlet temperature changes, therefore, someone must make the necessary Rotational Limit Stop or temperature knob adjustments at the time of installation and further adjustments may be necessary due to seasonal water temperature change. YOU MUST inform the owner/user of this requirement by following the instructions. If you or the owner/user are unsure how to properly make these adjustments, please refer to page 6 (13 / 14 series), page 12 (17 series) or page 16 (17T series) and if still uncertain, call us at 1-800-345-DELTA.

After installation and adjustment, you must affix

your name, company name and the date you adjusted the Rotational Limit Stop or temperature knob to the caution label provided and apply or attach the label to the back side of the closest cabinet door and the warning label to the water heater. Leave this Instruction Sheet for the owner's/user's reference.

**WARNING:** This pressure balanced or thermostatic bath valve is designed to minimize the effects of outlet water temperature changes due to inlet pressure changes, commonly caused by dishwashers, washing machines, toilets and the like. It may not provide protection from hot water burns when there is a failure of other temperature controlling devices elsewhere in the plumbing system, if the rotational limit stop or temperature knob is not properly set or if the hot water temperature is changed after the settings are made or if the water inlet changes due to seasonal changes.

**WARNING:** Do not install a shut-off device on either outlet of this valve. When this type of device shuts off the water flow, it can defeat the ability of the valve to balance the hot and cold water pressures.

## Lifetime Faucet and Finish Limited Warranty

All parts and finishes of the Delta® faucet are warranted to the original consumer purchaser to be free from defects in material & workmanship for as long as the original consumer purchaser owns their home. Delta Faucet Company recommends using a professional plumber for all installation & repair.

Delta will replace, FREE OF CHARGE, during the warranty period, any part or finish that proves defective in material and/or workmanship under normal installation, use & service. Replacement parts may be obtained by calling 1-800-345-DELTA (in the U.S. and Canada) or by writing to:

### **In the United States:**

Delta Faucet Company  
Product Service  
55 E. 111th Street  
Indianapolis, IN 46280

### **In Canada:**

Masco Canada Limited, Plumbing Group  
350 South Edgeware Road,  
St. Thomas, Ontario, Canada N5P 4L1

This warranty is extensive in that it covers replacement of all defective parts and even finish, but these are the only two things that are covered. LABOR CHARGES AND/OR DAMAGE INCURRED IN INSTALLATION, REPAIR, OR REPLACEMENT AS WELL AS ANY

OTHER KIND OF LOSS OR DAMAGES ARE EXCLUDED. Proof of purchase (original sales receipt) from the original consumer purchaser must be made available to Delta for all warranty claims. THIS IS THE EXCLUSIVE WARRANTY BY DELTA FAUCET COMPANY, WHICH DOES NOT MAKE ANY OTHER WARRANTY OF ANY KIND, INCLUDING THE IMPLIED WARRANTY OF MERCHANTABILITY.

This warranty excludes all industrial, commercial & business usage, whose purchasers are hereby extended a five year limited warranty from the date of purchase, with all other terms of this warranty applying except the duration of the warranty. This warranty is applicable to Delta® faucets manufactured after January 1, 1995.

Some states/provinces do not allow the exclusion or limitation of incidental or consequential damages, so the above limitation or exclusion may not apply to you. Any damage to this faucet as a result of misuse, abuse, or neglect, or any use of other than genuine Delta® replacement parts WILL VOID THE WARRANTY.

This warranty gives you specific legal rights, and you may also have other rights which vary from state/province to state/province. It applies only for Delta® faucets installed in the United States of America, Canada, and Mexico.

© 2011 Masco Corporation of Indiana

## Delta HDF Limited Warranty

All parts of the Delta HDF faucet are warranted to the original consumer purchaser to be free from defects in material and workmanship for a period of five (5) years. This warranty is made to the original consumer purchaser and shall be effective from date of purchase as shown on purchaser's receipt.

Delta will replace, FREE OF CHARGE, during the warranty period, any part which proves defective in material and/or workmanship under normal installation, use and service. Replacement parts can be obtained from your local dealer or distributor listed in the telephone directory or by returning the part along with the purchaser's receipt to our factory, TRANSPORTATION CHARGES PREPAID, at the address listed. THIS WARRANTY IS THE ONLY EXPRESS WARRANTY MADE BY DELTA. ANY CLAIMS MADE UNDER THIS WARRANTY MUST BE MADE DURING THE FIVE YEAR PERIOD REFERRED TO ABOVE. ANY IMPLIED WARRANTIES, INCLUDING THE IMPLIED WARRANTY OF MERCHANTABILITY OR

FITNESS FOR A PARTICULAR PURPOSE, ARE LIMITED IN DURATION TO THE DURATION OF THIS WARRANTY. LABOR CHARGES AND/OR DAMAGE INCURRED IN INSTALLATION, REPAIR OR REPLACEMENT AS WELL AS INCIDENTAL AND CONSEQUENTIAL DAMAGES CONNECTED THEREWITH ARE EXCLUDED AND WILL NOT BE PAID BY DELTA.

Some states do not allow limitations on how long an implied warranty lasts, or the exclusion or limitation of incidental or consequential damages, so the above limitations or exclusions may not apply to you.

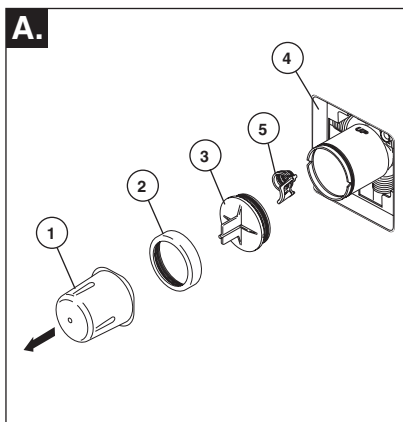
This warranty gives you specific legal rights, and you may also have other rights which vary from state to state.

This warranty is void for any damage to this faucet due to misuse, abuse, neglect, accident, improper installation, any use violative of instructions furnished by us or any use of replacement parts other than genuine Delta parts.

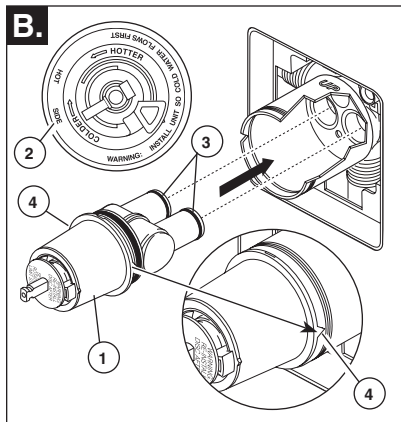
© 2011 Masco Corporation of Indiana

## 1

### Cartridge Installation



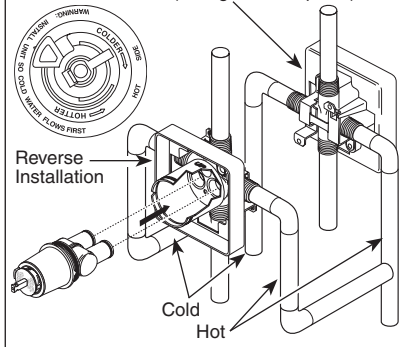
**Turn off water supplies.** Remove cover (1), bonnet nut (2) and test cap (3) from the body. If this is not a thin wall mounting, the entire plasterguard (4) may be removed. If screen (5) is in place, remove before installing cartridge.



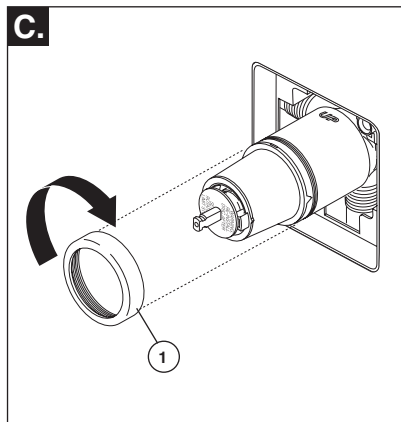
Rotate the cartridge (1) so the words "hot side" (2) appear on the left. Insert cartridge into valve body as shown. Make sure the cartridge tubes and O-rings (3) are properly seated in holes at the base of the body. Ensure the keys on the body are fully engaged with the slots in the body (4).

### Back to back Installation

Normal Installation (changes not required)



For back to back or reverse installations (hot on right and cold on left) insert the cartridge with the "hot side" on the right. If you are not making a reverse or back to back installation skip this step and continue with step 1C.

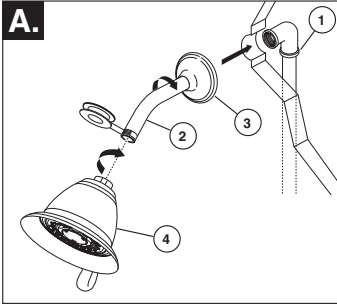


Slide bonnet nut (1) over the cartridge and thread onto the body. Hand tighten securely.

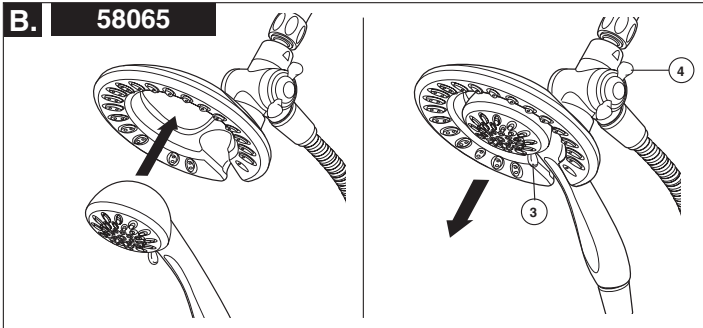
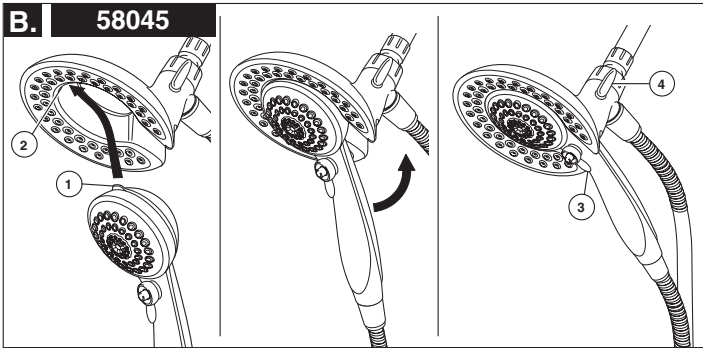
## 13 / 14 Series Installation

### 2

#### Showerhead and Tub Spout Installation



**FOR SHOWERHEAD INSTALLATION:** Connect top outlet (1) to shower arm (2) with proper fittings. To prevent damage to finish on shower arm, insert wall end of shower arm into shower flange (3) before screwing arm into riser connection. Thread showerhead (4) onto shower arm. Apply Teflon® tape to pipe threads on both ends. Do not overtighten showerhead.



**B. 58045:** To combine the two showers, insert the top tab (1) on the handshower into the slot (2) of the showerhead. Push the handshower into the showerhead until the two parts snap together.

**58065:** To combine the two showers, push the handshower into the showerhead, then pull down on the handshower until locked with the showerhead.

If the showerhead moves when removing the handshower, hand tighten the connection between the showerhead and the shower arm.

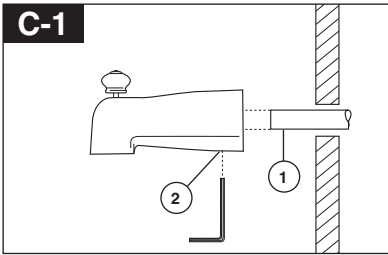
To change spray modes, turn the lever (3) left or right to the desired setting. Turn knob (4) to change between showerhead only, showerhead and handshower or handshower only.

## 2

### Showerhead and Tub Spout Installation

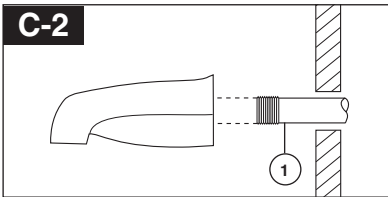
#### FOR TUB SPOUT INSTALLATION:

Refer to the installation instructions supplied with your spout. Do not connect deck mount spouts to in-wall valves. Do not use hand showers connected in lieu of a tub spout to a tub/shower valve. Do not use PEX tubing for tub spout drop.



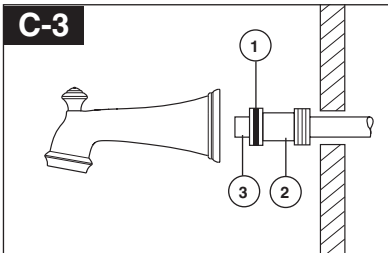
#### Slip-On Installation

The copper tube (1) must be 1/2" nominal copper. Important: If it is necessary to cut the copper tube, the end must be chamfered free of burrs to prevent cutting or nicking O-ring inside the spout. Slide spout over copper tube flush with the finished tub or wall surface. Tighten set screw (2), but do not overtighten.



#### Iron Pipe Installation

Install threaded pipe nipple (1) to extend past finished wall. Apply Teflon® tape to threads on pipe nipple and screw on tub spout.



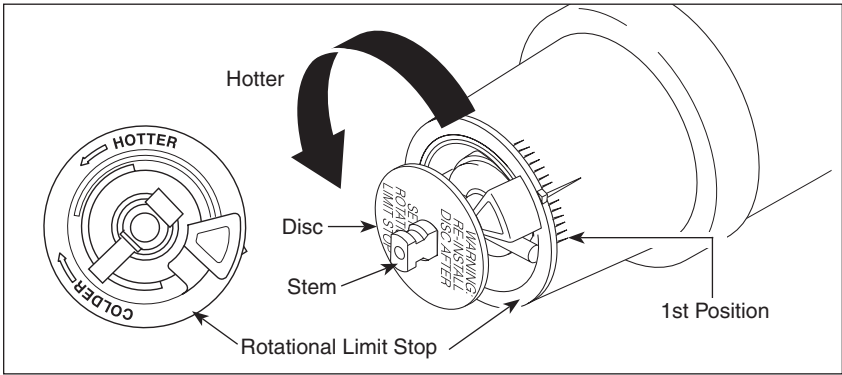
#### Copper Sweat Installation

Remove O-ring (1) from adapter (2). Solder adapter to tube taking care to keep solder away from O-ring groove. CAUTION: NO SOLDER PERMITTED ON OUTSIDE DIAMETER OF ADAPTER ADJACENT TO O-RING GROOVE. Cut off tube (3) and replace O-ring on groove of brass adapter. Thread tub/spout onto adapter, taking care not to damage O-ring, and hand tighten until spout is firmly against finished wall and all slack is taken up behind wall.

## 13 / 14 Series Installation

### 3

### Adjusting the Rotational Limit Stop



#### **IMPORTANT:**

The Rotational Limit Stop is used to limit the amount of hot water available such that, if set properly, the user will not be scalded if the handle accidentally is rotated all the way to "hot" when a person is showering or filling a tub. The first position allows the **LEAST** amount of hot water to mix with the cold water in the system. In the first position the water will be the coldest possible when the handle is turned all the way to hot. As you move the Rotational Limit Stop counterclockwise, you progressively add more and more hot water in the mix. The last position to the left will result in the greatest amount of hot water to the mix, and the greatest risk of scald injury if someone accidentally turns the valve handle all the way to the hot side while showering or filling a tub.

**WARNING: In some instances, setting the Rotational Limit Stop in the hottest position (full counterclockwise) could result in scald injury. It is necessary to adjust the Rotational Limit Stop so that the water coming out of the valve will not scald the user when the handle of the valve is rotated to the hot side.**

- According to the majority of industry standards, the maximum allowable temperature of the water exiting the valve is 120°F (Your local plumbing codes may require a water temperature less than 120°F).
- The Rotational Limit Stop may need to be re-adjusted seasonally if the inlet water temperature changes. For example, during the winter, the cold water temperature is colder than it is during the summer which could result in varying outlet temperatures. A water temperature

for a comfortable bath or shower is typically between 90°F - 110°F.

- Run the water so that the cold water is as cold as it will get and hot water is as hot as it will get. Place the handle on the stem (see page 6, step 4D) and rotate the handle counterclockwise until the handle stops.

- Place a thermometer in a plastic tumbler and hold in the water stream. If the water temperature is above 120°F, the Rotational Limit Stop must be repositioned clockwise to decrease valve outlet water temperature to be less than 120°F or to meet the requirements of your local plumbing codes.

- To adjust the temperature of the water coming out of the valve, pull the disc back to a position where it is possible to remove the Rotational Limit Stop and readjust the teeth engagement position to the desired temperature. Clockwise will decrease the outlet temperature, counterclockwise will increase the outlet temperature. Temperature change per tooth (notch) could be 4° - 16°F based on inlet water conditions. Repeat as necessary. Push disc until fully seated.

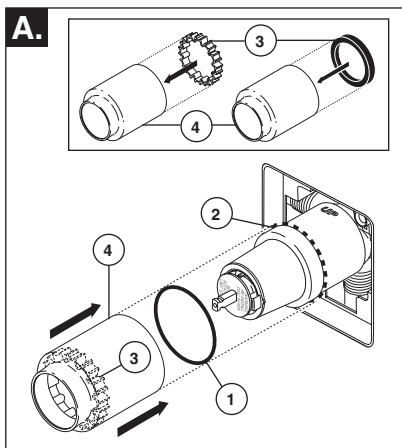
**WARNING: Failure to re-install Disc after setting Rotational Limit Stop could result in scald injury.**

- **MAKE SURE COLD WATER FLOWS FROM THE VALVE FIRST. MAKE SURE WATER FLOWING FROM THE VALVE AT THE HOTTEST FLOW POSSIBLE DOES NOT EXCEED 120°F OR THE MAXIMUM ALLOWED BY YOUR LOCAL PLUMBING CODE.**



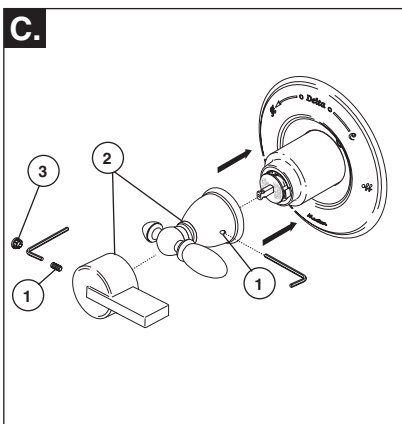
## 4

### Trim Installation

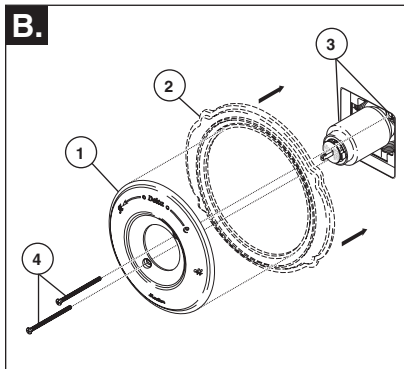


Slide O-ring (1) over cartridge and the bonnet nut (2). The O-ring, which acts as a spacer to steady the sleeve, should rest behind the bonnet nut.

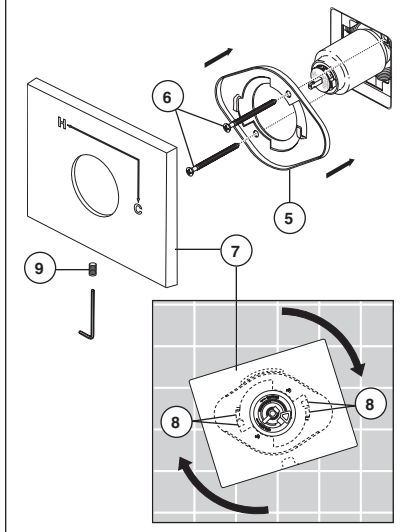
If your model requires a spacer (3), insert it into the sleeve (4) and push it to the front. Slide the sleeve over the cartridge, body and O-ring.



Using an Allen wrench to secure the set screw (1), install the handle (2) onto the stem. Insert plug button (3) (if your model has one) into set screw hole.



### Escutcheon Installation for Models T14053, T14253 & T14453.



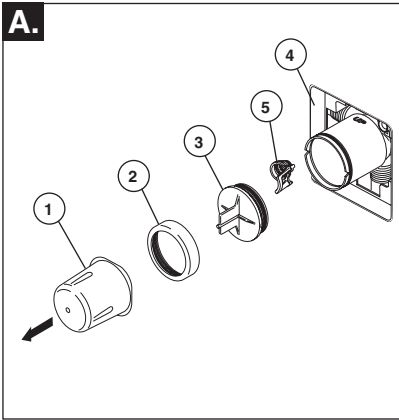
Secure the escutcheon (1) and backplate (2) (if your model has one) to the bracket (3) using the 2 screws provided (4). Do not overtighten escutcheon screws.

**For models T14053, T14253 & T14453:** Install bracket (5) over the cartridge body using the 2 screws provided (6). Install escutcheon (7) by placing it over the bracket as shown and rotating it to lock the tabs (8). Secure the escutcheon to the bracket using set screw (9).

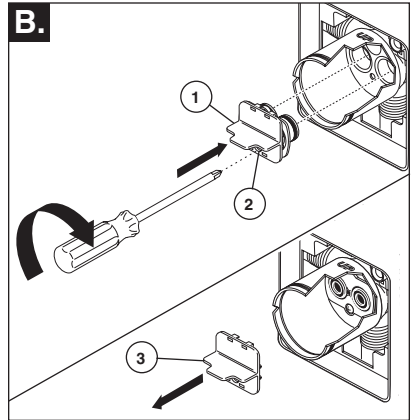
# 17 Series Installation

## 1

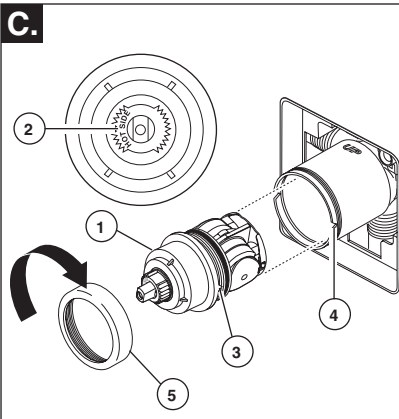
### Cartridge Installation



**Turn off water supplies.** Remove cover (1), bonnet nut (2) and test cap (3) from the body. If this is not a thin wall mounting, the entire plasterguard (4) may be removed. If screen (5) is in place, remove before installing cartridge.

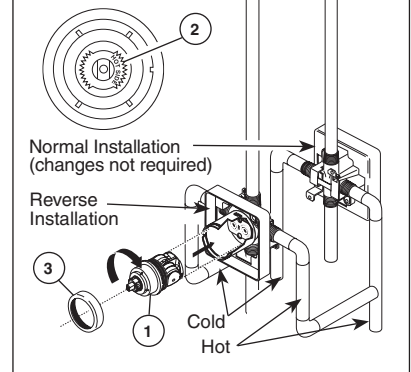


Insert adapter assembly (1) into valve body. Make sure the adapter assembly is correctly positioned and is pressed all the way down inside body. Secure adapter with the screw (2) provided in the adapter assembly. Remove the retainer (3) from the adapter.



Rotate cartridge (1) so the words "HOT SIDE" (2) appear on the left. Insert cartridge assembly into valve body. Make sure the key (3) on the cartridge is fully engaged with the slot in the brass body (4). Slide bonnet nut (5) over the cartridge and thread onto the body. Hand tighten securely.

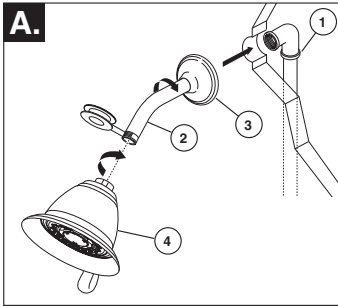
### Back to back Installation



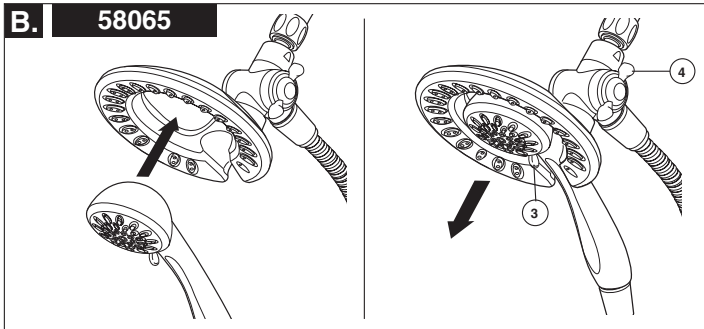
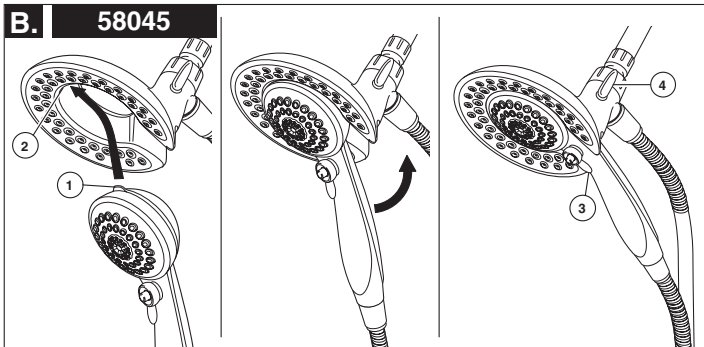
For back to back or reverse installations (hot on right and cold on left): Rotate cartridge (1) so the words "HOT SIDE" (2) appear on the right. Install the cartridge making sure that the key is fully engaged with the slot in the brass body (See step C). Slide bonnet nut (3) over the cartridge and thread onto the body. Hand tighten securely.

## 2

### Showerhead and Tub Spout Installation



**FOR SHOWERHEAD INSTALLATION:** Connect top outlet (1) to shower arm (2) with proper fittings. To prevent damage to finish on shower arm, insert wall end of shower arm into shower flange (3) before screwing arm into riser connection. Thread showerhead (4) onto shower arm. Apply Teflon® tape to pipe threads on both ends. Do not overtighten showerhead.



**B. 58045:** To combine the two showers, insert the top tab (1) on the handshower into the slot (2) of the showerhead. Push the handshower into the showerhead until the two parts snap together.

**58065:** To combine the two showers, push the handshower into the showerhead, then pull down on the handshower until locked with the showerhead.

If the showerhead moves when removing the handshower, hand tighten the connection between the showerhead and the shower arm.

To change spray modes, turn the lever (3) left or right to the desired setting. Turn knob (4) to change between showerhead only, showerhead and handshower or handshower only.

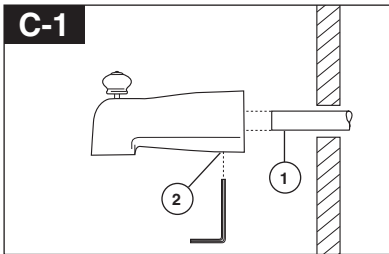
## 17 Series Installation

### 2

#### Showerhead and Tub Spout Installation

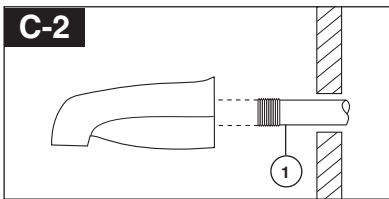
##### FOR TUB SPOUT INSTALLATION:

Refer to the installation instructions supplied with your spout. Do not connect deck mount spouts to in-wall valves. Do not use hand showers connected in lieu of a tub spout to a tub/shower valve. Do not use PEX tubing for tub spout drop.



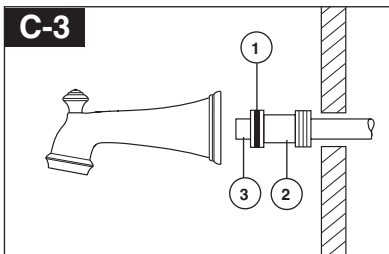
##### Slip-On Installation

The copper tube (1) must be 1/2" nominal copper. Important: If it is necessary to cut the copper tube, the end must be chamfered free of burrs to prevent cutting or nicking O-ring inside the spout. Slide spout over copper tube flush with the finished tub or wall surface. Tighten set screw (2), but do not overtighten.



##### Iron Pipe Installation

Install threaded pipe nipple (1) to extend past finished wall. Apply Teflon® tape to threads on pipe nipple and screw on tub spout.

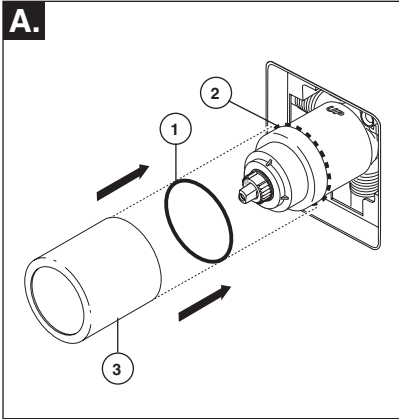


##### Copper Sweat Installation

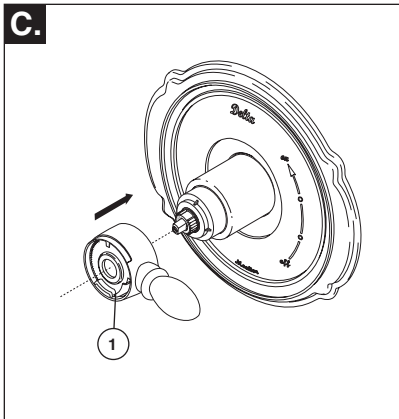
Remove O-ring (1) from adapter (2). Solder adapter to tube taking care to keep solder away from O-ring groove. CAUTION: NO SOLDER PERMITTED ON OUTSIDE DIAMETER OF ADAPTER ADJACENT TO O-RING GROOVE. Cut off tube (3) and replace O-ring on groove of brass adapter. Thread tub/spout onto adapter, taking care not to damage O-ring, and hand tighten until spout is firmly against finished wall and all slack is taken up behind wall.

## 3

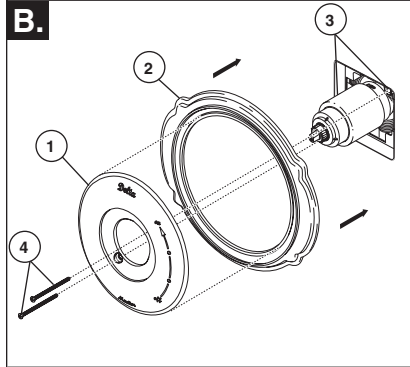
### Trim Installation



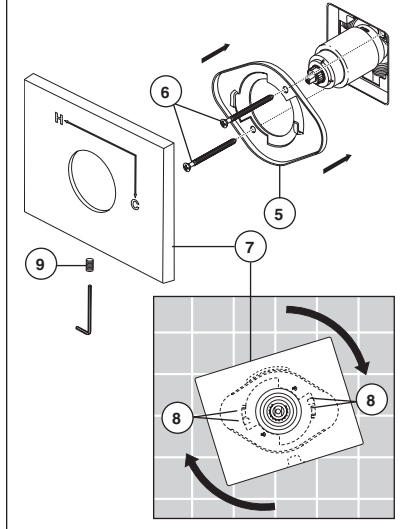
Slide O-ring (1) over cartridge and the bonnet nut (2). The O-ring, which acts as a spacer to steady the sleeve, should rest behind the bonnet nut. Slide the sleeve (3) over the cartridge, body and O-ring. Ensure sleeve is properly positioned over the front of cartridge.



Install volume control handle (1) with lever to the right, then turn to the on position. **DO NOT SECURE WITH SCREW.**



#### Escutcheon Installation for Models T17053, T17253 & T17453.



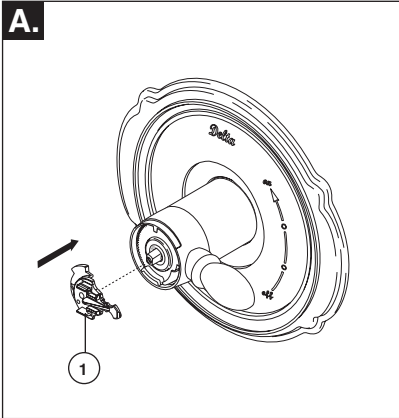
Secure the escutcheon (1) and backplate (2) (if your model has one) to the bracket (3) using the 2 screws provided (4). Do not overtighten escutcheon screws.

**For models T17053, T17253 & T17453:** Install bracket (5) over the cartridge body using the 2 screws provided (6). Install escutcheon (7) by placing it over the bracket as shown and rotating it to lock the tabs (8). Secure the escutcheon to the bracket using set screw (9).

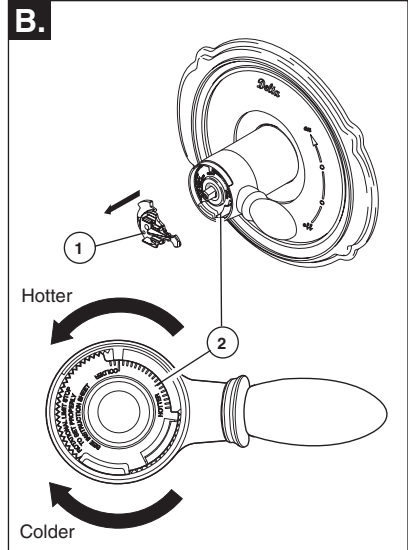
## 17 Series Installation

### 4

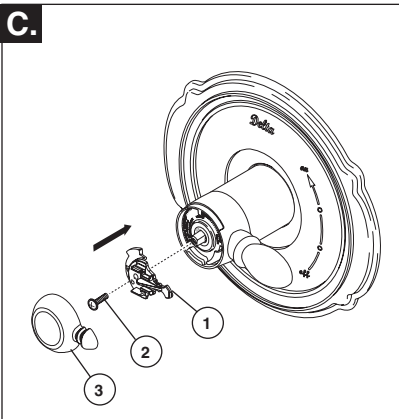
#### Installation and Adjustment of the Rotational Limit Stop



Place the temperature control knob (1) on volume handle and rotate to the mixed position (if required). **DO NOT SECURE WITH SCREW.** Turn on water supplies; let the water run until both hot and cold water is as hot/cold as possible. Place thermometer in a plastic tumbler, and hold the tumbler in the water stream. Record the temperature reading.



If the water temperature is above 120°F, remove the temperature control knob (1) and rotate the limit stop (2) clockwise one tooth for every 4°F - 6°F (approximate) change in temperature. If water temperature is cooler than desired, rotate the limit stop counterclockwise.

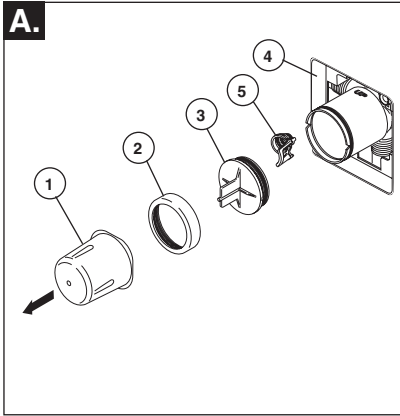


Secure temperature control knob (1) with screw (2) and snap control cover (3) onto knob. **NOTE: Secure screw until handle wobble is reduced, DO NOT FULLY TIGHTEN.** Overtightening will result in difficulty to operate temperature control knob. Screw is self locking.

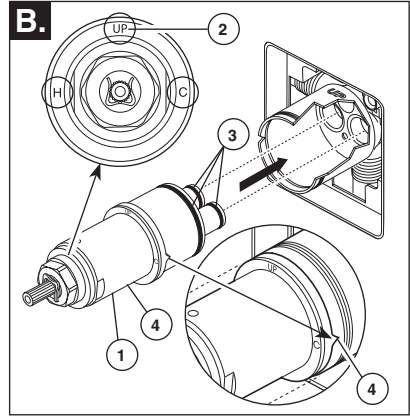
**IMPORTANT:** The first position of the Rotational Limit Stop (the Limiter) is that position that restricts the rotation of the stem the most and is at the maximum clockwise setting. According to industry standards, the maximum allowable temperature of the water exiting from the valve is 120° F. This temperature may vary in your local area. The Rotational Limit Stop may need to be readjusted if the inlet water temperature changes. For instance, during the winter, the cold water temperature is colder than it is during the summer which could result in varying outlet temperatures. Typical temperature for a comfortable bath or shower is between 90°–110° F.

## 1

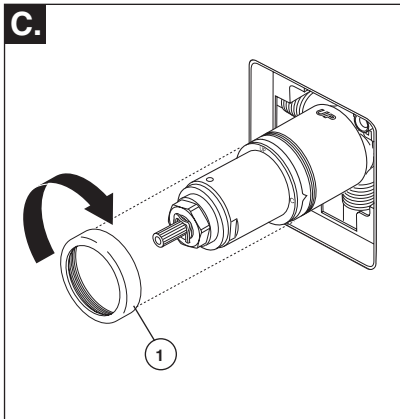
### Cartridge Installation



**Turn off water supplies.** Remove cover (1), bonnet nut (2) and test cap (3) from the body. Place a bucket or small container over the front of the valve body and slowly open the water supplies to flush any debris from the supply lines before installing the cartridge. Turn the water supplies back off. If this is not a thin wall mounting, the entire plasterguard (4) may be removed. If screen (5) is in place, remove before installing cartridge.

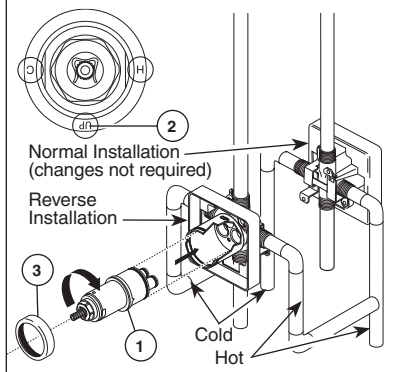


Rotate the cartridge (1) so the word "UP" (2) appears on the top. The "H" must be on the hot side and the "C" must be on the cold side. Add silicone lube to the three o-rings (3) shown above to make the cartridge easier to install and remove from the valve body. Insert cartridge into valve body as shown. Ensure the keys on the body are fully engaged with the slots in the body (4).



Slide bonnet nut (1) over the cartridge and thread onto the body. Hand tighten securely.

### Back to back Installation

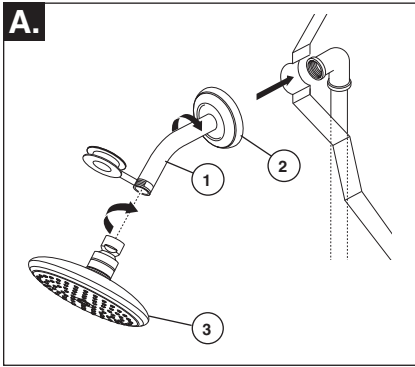


For the exceptions of back to back or reverse installations (hot on right and cold on left) only: Rotate cartridge (1) so "H" is on the hot side and "C" is on the cold side and the word "UP" (2) appears on the bottom. Add silicone lube to the three o-rings shown above to make the cartridge easier to install and remove from the valve body. Install the cartridge making sure that the keys are fully engaged with the slot in the brass body (see step B). Slide bonnet nut (3) over the cartridge and thread onto the body. Hand tighten securely.

## 17T Series Installation

### 2

#### Showerhead and Tub Spout Installation



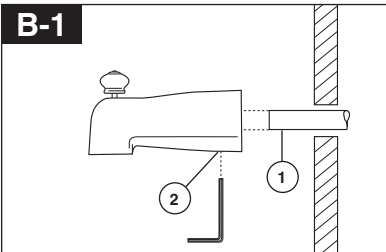
#### FOR SHOWERHEAD INSTALLATION:

Apply Teflon® tape to pipe threads on both ends of the shower arm (1). To prevent damage to finish on shower arm, insert wall end of shower arm into shower flange (2) before screwing arm into riser connection.

Thread showerhead (3) onto shower arm. Do not overtighten showerhead.

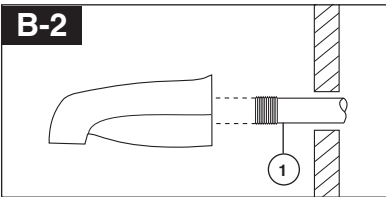
#### FOR TUB SPOUT INSTALLATION:

Refer to the installation instructions supplied with your spout. Do not connect deck mount spouts to in-wall valves. Do not use hand showers connected in lieu of a tub spout to a tub/shower valve. Do not use PEX tubing for tub spout drop.



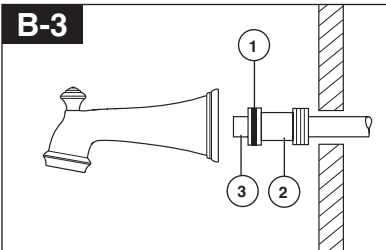
#### Slip-On Installation

The copper tube (1) must be 1/2" nominal copper. Important: If it is necessary to cut the copper tube, the end must be chamfered free of burrs to prevent cutting or nicking O-ring inside the spout. Slide spout over copper tube flush with the finished tub or wall surface. Tighten set screw (2), but do not overtighten.



#### Iron Pipe Installation

Install threaded pipe nipple (1) to extend past finished wall. Apply Teflon® tape to threads on pipe nipple and screw on tub spout.



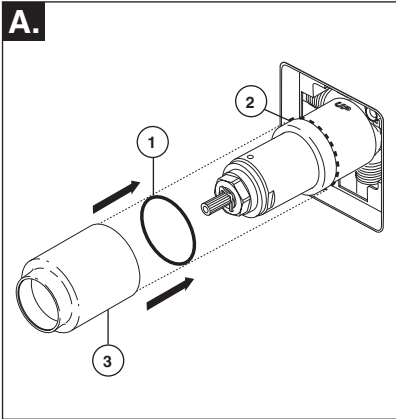
#### Copper Sweat Installation

Remove O-ring (1) from adapter (2). Solder adapter to tube taking care to keep solder away from O-ring groove. CAUTION: NO SOLDER PERMITTED ON OUTSIDE DIAMETER OF ADAPTER ADJACENT TO O-RING GROOVE. Cut off tube (3) and replace O-ring on groove of brass adapter. Thread tub/spout onto adapter, taking care not to damage O-ring, and hand tighten until spout is firmly against finished wall and all slack is taken up behind wall.

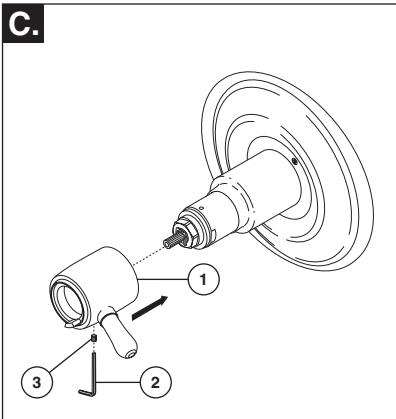


## 3

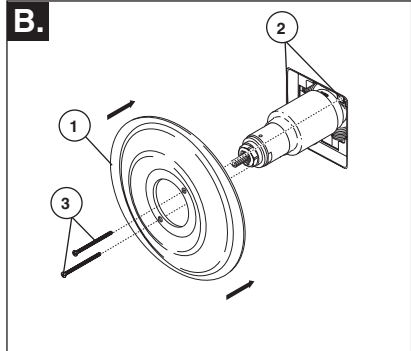
### Valve Trim Installation



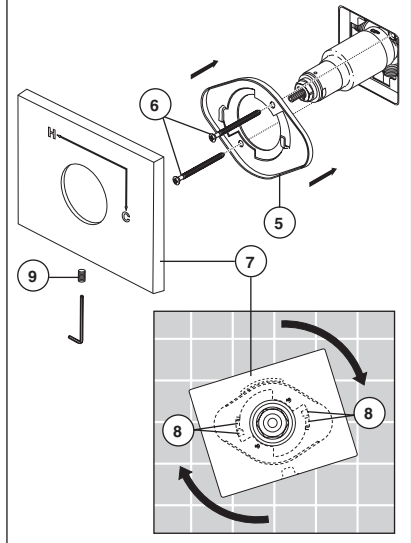
Slide O-ring (1) over cartridge and the bonnet nut (2). The O-ring, which acts as a spacer to steady the sleeve, should rest behind the bonnet nut. Slide the sleeve (3) over the cartridge, body and O-ring. Ensure sleeve is properly positioned over the front of cartridge.



Install volume control handle (1) with lever to the right, using an Allen wrench (2) to secure with the set screw (3).



### Escutcheon Installation for Models T17T053, T17T253 & T17T453.



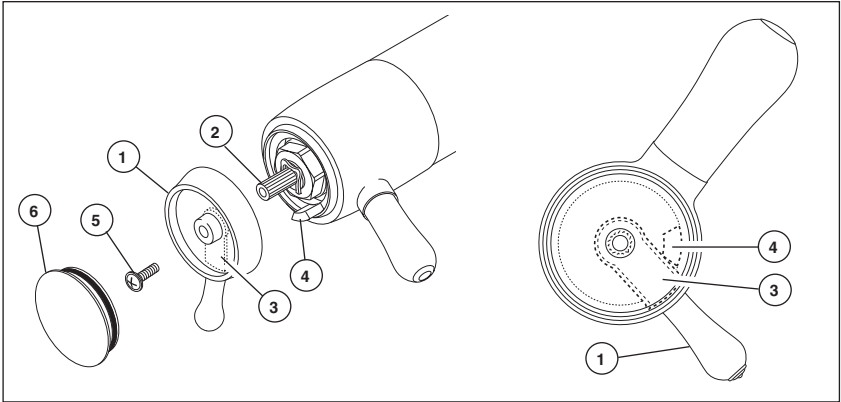
Secure the escutcheon (1) to the bracket (2) with the 2 screws provided (3). Do not overtighten escutcheon screws.

**For models T17T053, T17T253 & T17T453:** Install bracket (5) over the cartridge body using the 2 screws provided (6). Install escutcheon (7) by placing it over the bracket as shown and rotating it to lock the tabs (8). Secure the escutcheon to the bracket using set screw (9).

## 17T Series Installation

### 4

#### Installation and Adjustment of the Temperature Knob Failure to do so may cause injury.



**Adjust temperature limit stop!** Turn on water supplies; LET THE WATER RUN AT BOTH FULL HOT AND FULL COLD TO ENSURE THE WATER IS RUNNING AS HOT/COLD AS POSSIBLE. Place a thermometer in a plastic tumbler, and hold the tumbler in the water stream. Place the temperature knob (1) onto the splines (2), then rotate the temperature knob until you achieve your maximum

desired temperature from the outlet (not more than 120° or the lower temperature mandated by your local plumbing code). Remove the temperature knob and replace onto the splines (2), making sure that the temperature knob limit stop (3) hits against the volume handle limit stop (4) as shown. Secure the temperature knob using screw (5) and place cap (6) on knob.

## Cleaning and Care

Care should be given to the cleaning of this product. Although its finish is extremely durable, it can be damaged by harsh abrasives or polish. To clean, simply wipe gently with a damp cloth and blot dry with a soft towel.

**Warning:** *Scrubbing Bubbles® Bathroom Cleaner and Lysol® Basin Tub and Tile Cleaner* must not be used on the clear knob handles and levers. Use of these cleaners can result in cracked or severely damaged handles. If overspray gets onto the handles, immediately wipe them dry with a soft cotton cloth

## 13/14 Series Maintenance

### **Faucet leaks from tub spout/showerhead:** SHUT OFF WATER SUPPLIES.

Replace seats and springs—Repair Kit RP4993. Check condition of lower O-rings and replace if necessary RP14414. See Helpful Hints 1, 2, & 3.

### **If leak persists:**

SHUT OFF WATER SUPPLIES.

Replace cap assembly RP46070 or valve cartridge RP46074.

See Helpful Hints 1, 2, 3 & 5.

### **Unable to maintain constant water temperature:**

Replace housing assembly with RP46071 or follow instructions in Helpful Hints 1, 2, 4 & 5.

### **Helpful Hints:**

1. Before removing valve cartridge assembly for any maintenance, be sure to note the position of the rotational limit stop on the cap. The valve cartridge assembly must always be put back in the same position. **BE SAFE!** After you have finished the installation, turn on valve to make sure **COLD WATER FLOWS FIRST**.
2. To remove valve cartridge from body, shut off water supplies and remove handle and bonnet nut. Do not pry the valve cartridge out of the body with

a screwdriver. Place handle on stem and rotate counterclockwise approximately 1/4 turn after the stop has been contacted. Lift valve cartridge out of body.

3. To remove seats and springs, remove valve cartridge. Separate cap assembly from the housing assembly by rotating the cap assembly counterclockwise 90° (degrees). Separate cap and housing assemblies. Remove seats and springs and replace. Place the largest diameter of the spring into the seat pocket first and then press the tapered end of the seal over the spring. Reassemble valve cartridge and replace in body following instructions given in 1 above.

4. If the water in your area has lime, rust, sand or other contaminants in it, your pressure balance valve will require periodic inspection. The frequency of the inspection will depend on the amount of contaminants in the water. To inspect valve cartridge remove it and follow the steps in note 1 above. Turn the valve to the full mix position and shake the cartridge vigorously. If there is a rattling sound, the unit is functional and can be reinstalled following instructions given in note 1 above. If there is no rattle, replace the housing assembly (RP46071).

5. Push disc until fully seated. See page 5 for more details.

## 17T Series Maintenance

### **Cannot receive more than a trickle of water:**

Both hot and cold supply lines must be pressurized. If only one side is pressurized, the system will not allow adequate flow of water.

**Faucet leaks from showerhead:** Remove the showerhead then turn the water on and off to verify if the cartridge is leaking or the showerhead is draining slowly (the showerhead may need to be cleaned if water drains slowly).

### **If leak persists - SHUT OFF WATER SUPPLIES**

Replace cartridge assembly - RP47201.

### **Unable to set or maintain mixed water temperature:**

SHUT OFF WATER SUPPLIES. Remove handle assembly, trim sleeve, and bonnet nut. Check to make sure the "H" marking on the cartridge aligns with the hot inlet and the "C" marking on the cartridge aligns with the cold inlet to the valve body. The thermostatic cartridge cannot function if hot and cold inlets are reversed.

**Low flow:** Low flow may be caused by clogged screens within the thermostatic cartridge.

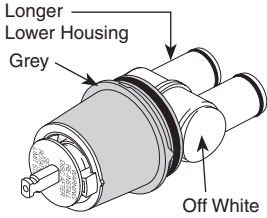
To clean the hot and cold screens in the cartridge, follow the steps below:

1. SHUT OFF WATER SUPPLIES.
2. Remove the handle assembly.
3. Unscrew the hex shaped portion of the cartridge.
4. Carefully clean any debris from the screens under running water. If the debris is difficult to remove then soak the screens overnight in a 50% water and 50% vinegar solution.
5. Reassemble the cartridge.
6. Replace the handle.
7. Turn the water back on.
8. Reset the limit stop before using the valve.

# Cartridge Summary Reference Sheet

**Units shipped in March 2006 and after.**

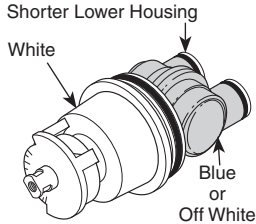
## MultiChoice® 13/14



**Order RP46074 to Replace Cartridge.**

**Units shipped before March 2006.**

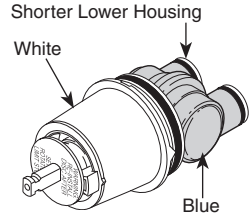
## Old Monitor® 1300/1400



**Order RP19804 to Replace Cartridge.**

**Replacement cartridges shipped in July 2006 and after.**

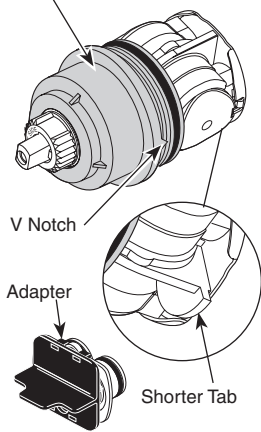
## New Monitor® 1300/1400



**Order RP19804 to Replace Cartridge.**

**17**

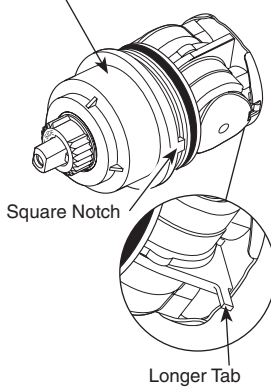
Grey Upper Cap



**Order RP46463 to Replace Cartridge.**

**1700**

White Upper Cap

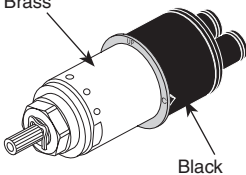


**Order RP32104 to Replace Cartridge.**

**NA**

**17T**

Brass



**Order RP47201 to Replace Cartridge.**

**NA**  
Will Not Fit

**NA**



ASME A112.18.1 / CSA B125.1  
ASSE 1016 (Type -P- or -T-)

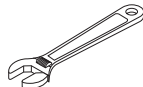
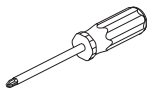
# Instrucciones para la Instalación del Accesorio para Válvulas MultiChoice®

## Manual para los Propietarios

13, 14, 17 y 17T  
Series

Escriba aquí el número del modelo comprado.

### Usted puede necesitar



### Contenido:

Garantías .....	Página 2
Instrucciones de Instalación para la Series 13 / 14.....	Páginas 3 - 7
Instrucciones de Instalación para la Serie 17.....	Páginas 8 - 12
Instrucciones de Instalación para la Serie 17T .....	Páginas 13 - 16
Mantenimiento .....	Páginas 16 - 17
Hoja resumen de referencia para el cartucho .....	Página 18
Piezas de Repuesto .....	Páginas 19 - 54

**ESTA VÁLVULA CUMPLE O EXCEDE LAS SIGUIENTES NORMAS: ASME A112.18 1 / CSA B125.1 y ASSE 1016 (Type -P- or -T-).**

**ADVERTENCIA:** El instalador debe apostar este sistema/divisa para garantizar temperatura máximo y seguro. Cualquier cambio en el ajuste puede subir la temperatura del agua de descarga sobre el límite considerado seguro y puede resultar en quemaduras de agua caliente.

**AVISO PARA EL INSTALADOR: PRECAUCIÓN** – Como instalador de esta válvula, es su responsabilidad de INSTALAR Y AJUSTAR apropiadamente esta válvula como se describe en las instrucciones, por lo tanto, debe haber una persona para hacer los ajustes necesarios del Tope del Límite Rotacional y del pomo para la temperatura en el momento que se haga la instalación y pueda necesitar ajustes adicionales por los cambios estacionales de la temperatura del agua. **USTED DEBE informarle al dueño/usuario sobre este requisito siguiendo las instrucciones. Si usted o el dueño/usuario no están seguros como hacer estos ajustes apropiadamente, por favor refiérase al Página 6 (series 13 / 14), Página 12 (serie 17) o Página 16 (serie 17T) y si todavía no está seguro, llámenos al 1-800-345-DELTA.** Después de hacer la instalación y el ajuste, usted puede agregarle a la etiqueta de aviso proporcionada, su nombre, el nombre de la

compañía y la fecha cuando ajustó el Tope del Límite Rotacional y el pomo para la temperatura y aplicar o fijar la etiqueta al dorso de la puerta del gabinete más cercano y la etiqueta de aviso al calentador de agua. Deje la Hoja de Instrucciones para referencia del dueño/usuario.

**ADVERTENCIA:** Esta válvula de presión balanceada y termostática está diseñada para minimizar los efectos de los cambios de temperatura de agua por causa de los cambios de presión en el agua de entrada, comúnmente causados por lavadoras de platos, lavadoras de ropa, inodoros, y otros aparatos por el estilo. Puede no proporcionar protección de quemaduras de agua caliente cuando hay alguna falla de otros aparatos para el control de temperatura en otro sitio en el sistema de plomería. También no proporcionará protección si el tope del límite rotacional y el pomo para el ajuste de la temperatura no está apropiadamente fijo o si cambia la temperatura del agua caliente después de hacer los ajustes o si los cambios del agua de entrada son por los cambios estacionales.

**ADVERTENCIA:** No instale un aparato de corte o cierre en cualquiera de las tomas de esta válvula. Cuando este tipo de aparato cierra el flujo de agua, puede hacer fallar la habilidad de la válvula de balancear las presiones del agua caliente y fría.

## Garantía Limitada De Por Vida de la Llave y su Acabado

Todas las piezas y acabados de la llave Delta® están garantizados al consumidor comprador original, de estar libres de defectos de material y fabricación, por el tiempo que el consumidor comprador original sea dueño de su casa. Delta Faucet Company recomienda que use un plomero profesional para todas las instalaciones y reparaciones.

Delta reemplazará, LIBRE DE CARGO, durante el período de garantía, cualquier pieza o acabado que pruebe tener defectos de material y/o fabricación bajo instalación normal, uso y servicio. Piezas de repuesto pueden ser obtenidas llamando al 1-800-345-DELTA (en los Estados Unidos y Canadá) o escribiendo a:

### En los Estados Unidos:

Delta Faucet Company  
Product Service  
55 E. 111th Street  
Indianapolis, IN 46280

### En Canadá:

Masco Canada Limited, Plumbing Group  
350 South Edgeware Road,  
St. Thomas, Ontario, Canada N5P 4L1

Esta garantía es extensiva en lo que cubre el reemplazamiento de todas las piezas defectuosas y hasta el acabado, pero éstas son las únicas dos cosas que están cubiertas. CARGOS DE LABOR Y/O DANOS INCURRIDOS EN LA INSTALACION, REPARACION, O REEMPLAZAMIENTO COMO TAMBIEN

CUALQUIER OTRO TIPO DE PÉRDIDA O DANOS ESTÁN EXCLUIDOS. Prueba de compra (recibo original de venta) del comprador consumidor original debe de ser disponible a Delta para todos los reclamos. ESTÁ ES LA GARANTÍA EXCLUSIVA DE DELTA FAUCET COMPANY, QUE NO HACE CUALQUIER OTRA GARANTÍA DE CUALQUIER TIPO, INCLUYENDO LA GARANTÍA IMPLÍCITA DE COMERCIALIZACIÓN.

Esta garantía excluye todo uso industrial, comercial y de negocio, a cuyos compradores se les da una garantía limitada extendida de cinco años desde la fecha de compra, con todos los otros términos de esta garantía aplicados, excepto el de duración de ésta. Esta garantía es aplicable a las llaves de Delta® fabricadas después de Enero 1, 1995.

Algunos estados/provincias no permiten la exclusión o limitación de daños incidentales o consecuentes, de manera que la limitación o exclusión arriba escrita puede no aplicarle a usted. Cualquier daño a esta llave, resultado del mal uso, abuso, o descuido, o cualquier otro uso de piezas de repuesto que no sean genuinas de Delta® ANULARÁN LA GARANTÍA.

Esta garantía le da derechos legales específicos, y usted puede, también tener otros derechos que varían de estado/provincia a estado/provincia. Es aplicable sólo a las llaves Delta® instaladas en los Estados Unidos de America, Canada y Mexico.

© 2011 Masco Corporación de Indiana

## Garantía Limitada de Delta HDF

Todas las piezas de la llave Delta HDF están garantizadas al dueño original de estar libres de defectos en materiales y en la mano de obra por un período de cinco (5) años. Esta garantía se hace al dueño original y será efectiva el día de la compra como se ve en el recibo de compra.

Delta reemplazará, LIBRE DE CARGO, durante el período de la garantía, cualquier pieza que resulte defectuosa en materiales y/o en la mano de obra bajo instalación, uso y servicio normal. Las piezas de repuesto pueden ser obtenidas de su comerciante o distribuidor local que se encuentran en la guía telefónica o si usted devuelve la pieza con el recibo de compra a nuestra fabrica. Y LOS CARGOS DE TRANSPORTE PAGADOS CON ANTELACION, a la dirección dada. ESTA GARANTIA ES LA UNICA GARANTIA EXPRESA DE DELTA. CUALQUIER RECLAMO HECHO BAJO ESTA GARANTIA TIENE QUE SER HECHO DURANTE EL PERIODO DE CINCO AÑOS A QUE SE REFIERE ARRIBA. CUALQUIER GARANTIA IMPLÍCITA, INCLUYENDO LA GARANTIA IMPLÍCITA DE COMERCIALIZACION O CONVENIENCIA

PARA UN PROPOSITO PARTICULAR, SON LIMITADOS EN DURACION A LA DURACION DE ESTA GARANTIA. LOS CARGOS PARA LA MANO DE OBRA Y/O DANOS INCURRIDOS EN LA INSTALACION, REPARACION O REEMPLAZO, ASI COMO LOS DAÑOS INCIDENTALES O CONSECUENTES CONECTADOS CON ELLOS SON EXCLUIDOS Y NO SERAN PAGADOS POR DELTA.

Algunos estados no permiten limitaciones al tiempo que dura la garantía implícita, o la exclusión o limitación de los daños incidentales o consecuentes, así que la limitación o exclusión expresada arriba puede no ser aplicable a usted.

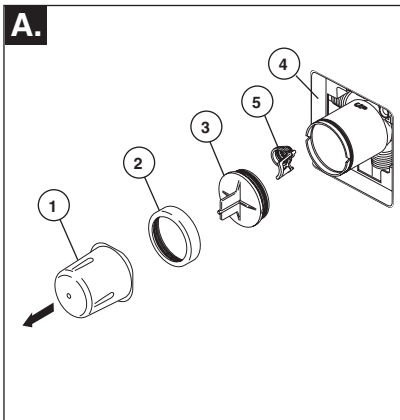
Esta garantía le da a usted derechos legales específicos y usted puede también tener otros derechos que varían de estado a estado.

Esta garantía es nula por cualquier daño a esta llave que sea el resultado del mal uso, abuso, negligencia, accidente, instalación impropia, cualquier uso en violación de las instrucciones suministradas por nosotros o cualquier uso de piezas de repuesto que no sean piezas genuinas Delta.

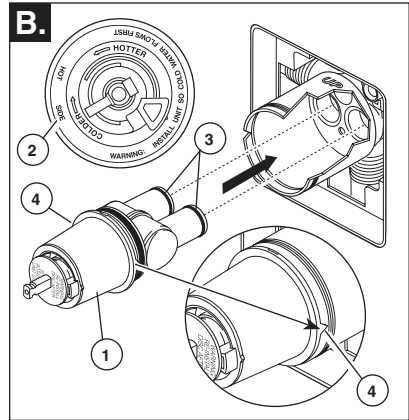
© 2011 Masco Corporación de Indiana

## 1

### Instalación del Cartucho



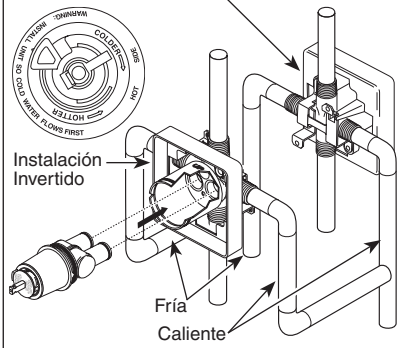
**Cierre los suministros de agua.** Quite la cubierta (1), la tuerca tapa (2) y la tapa de prueba (3). Si no es para instalar en pared delgada, puede quitar el protector (4) de yeso completo. Si la pantalla (5) está en lugar, quite antes de instalar el cartucho.



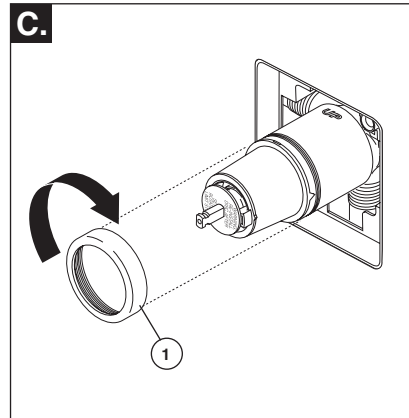
Gire el cartucho (1) de manera que las palabras 'hot side' (lado caliente) (2) aparezcan a la izquierda. Introduzca el cartucho en la válvula como se muestra. Asegúrese que los tubos del cartucho y los aros-O (3) estén apropiadamente sentados en los agujeros en la base del cuerpo de la válvula. Asegúrese que la parte dentada en el cuerpo de la pieza encaje completamente en las muescas de éste (4).

### Instalación de Espalda a Espalda

Instalación Normal (No se requerirá cambios)



En las instalaciones dorso con dorso o al reverso (caliente en la derecha y fría en la izquierda) introduzca el cartucho con la inscripción "hot side" a la derecha. Si usted no está instalando al reverso o dorso con dorso omita este paso y continúe con el paso 1C.

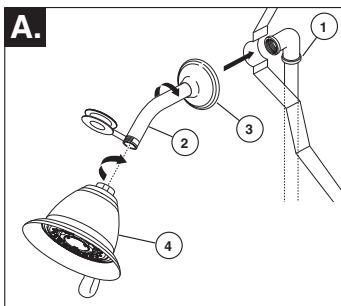


Deslice la tuerca tapa (1) sobre el cartucho y enrosque en el cuerpo de la válvula. Apriete a mano bien.

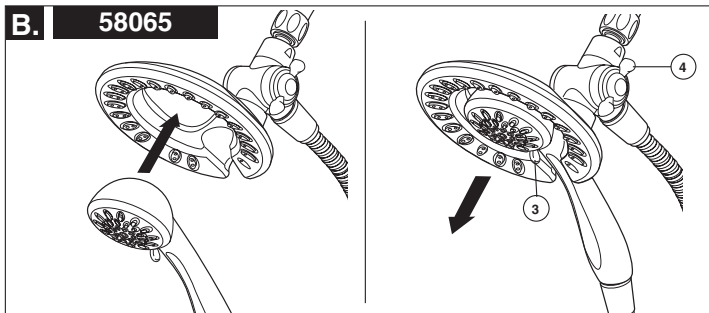
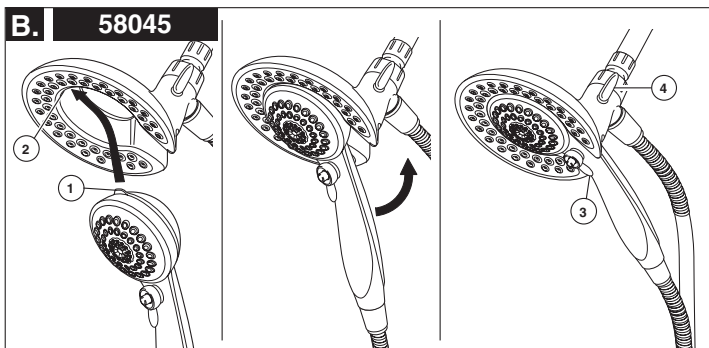
## Instalación de las Series 13 / 14

### 2

### Instalación de la Cabeza de la Regadera y el Surtidor de la Bañera



**PARA LAS INSTALACIONES DE LAS CABEZAS DE REGADERA:** Conecte la toma de salida de agua superior (1) al brazo de la regadera (2) con los accesorios apropiados. Para prevenir daño al acabado del brazo de la regadera, introduzca el extremo que va hacia la pared del brazo de la regadera dentro del reborde (3) antes de atornillar el brazo en la conexión de la tubería vertical. Aplique cinta Teflon® a los enrosques de la tubería. No apriete demasiado la cabeza de la regadera.



**B. 58045:** Para combinar las dos regaderas, inserte la lengüeta superior (1) en la regadera de mano en la muesca (2) de la cabeza de la regadera. Oprima la regadera de mano en la cabeza de la regadera hasta que las dos partes encajen y queden juntas.

**58065:** Para combinar las dos regaderas, oprima la regadera de mano en la cabeza de la regadera hasta que las dos partes encajen y queden juntas. A continuación, tire hacia abajo la regadera de mano hasta que quede fija con la cabeza de la regadera.

Si la cabeza de la regadera se mueve cuando retira la regadera manual, apriete a mano la conexión entre la cabeza de la regadera y el brazo de la regadera.

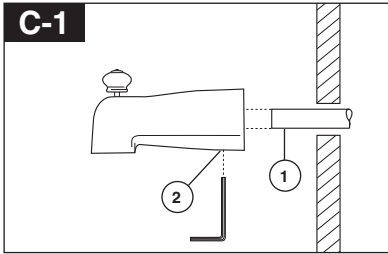
Para cambiar los modos de rocío de la regadera, mueva la palanca (3) de izquierda a derecha al ajuste deseado. Gire la perilla (4) (para cambiar el flujo de agua para que salga sólo por la cabeza de la regadera, o por la cabeza de la regadera y regadera manual o sólo por la regadera manual).



## 2

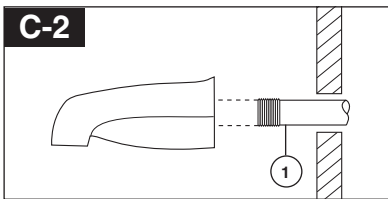
### Showerhead and Tub Spout Installation

**PARA LA INSTALACIÓN DEL SURTIDOR DE LA BAÑERA:** Refiérase a las instrucciones para la instalación suministradas con su surtidor. No conecte los surtidores para las instalaciones en las superficies horizontales en las válvulas dentro de las paredes. No use las regaderas de mano en vez de un surtidor de bañera conectado a una válvula de bañera/regadera. No use la tubería PEX como tubería entre la válvula y el surtidor de la bañera.



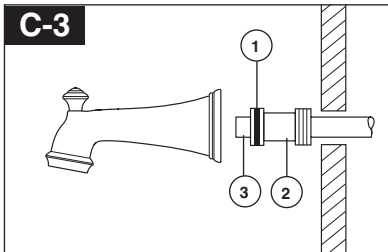
#### Instalación deslizable

El tubo de cobre (1) debe ser de 1/2" de cobre nominal. Importante: Si es necesario cortar el tubo de cobre, el extremo debe biselarse que quede libre de rebabas para prevenir cortar o mellar el aro O dentro del tubo de cobre. Deslice el surtidor sobre el tubo de cobre al ras con la bañera o la superficie de la pared acabada. Apriete el tornillo de ajuste (2), pero no apriete demasiado.



#### Instalación de la tubería de Hierro

Instale una enterrosca de tubo enroscado de 1/2" (13 mm) (1) para extenderse por delante de la pared acabada. Aplique cinta Teflon® a las roscas en la enterrosca de tubo y atornille el surtidor de la bañera.



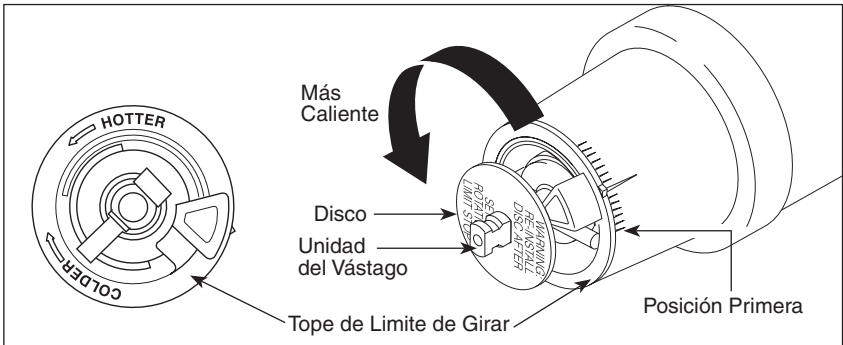
#### Instalación de Soldadura de Cobre

Quite el aro O (1) del adaptador (2). Suelde el adaptador al tubo asegurando de mantener la soldadura lejos de las muesca del aro O. **AVISO: NO SE PERMITE SOLDAR EN EL DIAMETRO EXTERIOR DEL ADAPTADOR ADJUNTO A LA MUESCA DEL ARO O.** Corte el tubo (3) y coloque otra vez el aro O en la muesca del adaptador de latón. Atornille la bañera/surtidor al adaptador, asegurando no dañar el aro O, y apriete a mano bien hasta que el surtidor quede firmemente contra la pared acabada y no quede flojo detrás de la pared.

## Instalación de las Series 13 / 14

### 3

### El Ajuste del Tope que Limita la Rotación



#### IMPORTANTE:

El Ajuste del Tope que Limita la Rotación se usa para limitar la cantidad de agua caliente disponible de manera que, si ajustado apropiadamente, el usuario no se quemará si la manija se gira accidentalmente completamente a "hot" ("caliente") cuando una persona se está duchando o llenando la bañera. La primera posición permite la cantidad **MÍNIMA** de agua caliente mixta con la fría en el sistema. En la primera posición el agua estará lo más fría posible cuando la manija se gira completamente a caliente. Mientras que mueve el Ajuste del Tope que Limita la Rotación en dirección contrario a las manecillas del reloj, progresivamente aumentará el agua caliente en la mezcla más y más. La última posición a la izquierda es la de mayor cantidad de agua caliente en la mezcla, y tiene el mayor riesgo de lesión por quemadura si alguien accidentalmente abre la manija de la válvula completamente a la posición caliente mientras que se baña o llena la bañera.

**ADVERTENCIA:** En algunos casos, ajustar el Ajuste del Tope que Limita la Rotación en la posición más caliente (completamente en el sentido contrario a la dirección de las manecillas del reloj) puede resultar en lesión por quemadura. Es necesario ajustar el Tope que Limita la Rotación de manera que el agua que sale de la válvula no queme o escalde al usuario cuando la manija de la válvula se gira al lado caliente.

De acuerdo con la mayoría de los estándares de la industria, la temperatura máxima permisible del agua que sale es 120°F (Sus códigos locales de plomería pueden requerir una temperatura de agua menor de 120°F).

El Tope que Limita la Rotación puede requerir el ajuste estacional si la temperatura del agua cambia. Por ejemplo, durante el

invierno, la temperatura del agua fría es más fría que durante el verano resultando en temperaturas variadas en el agua de salida. Una temperatura de agua para un baño o ducha confortable típicamente es entre 90°F - 110°F.

Deje que el agua corra de manera que el agua fría esté lo más fría posible y la caliente esté lo más caliente posible. Coloque la manija en la espiga (vea la página 6, paso 4D) y gire la manija en dirección contraria a las manecillas del reloj hasta que la manija pare.

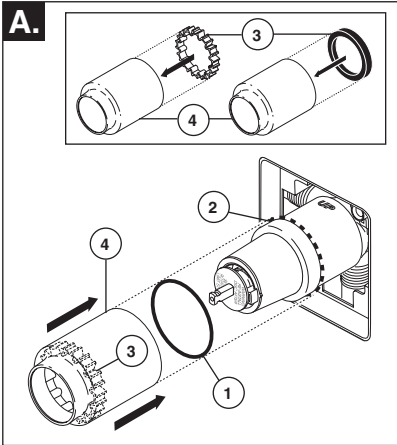
Coloque el termómetro en un vaso plástico y sosténgalo bajo el chorro de agua. Si la temperatura de agua está por encima de 120°F el tope que limita la rotación debe ajustarse otra vez moviéndolo en sentido de las manecillas del reloj para reducir la temperatura del agua de salida de la válvula a menos de 120°F o para que cumpla con los requisitos de sus códigos locales de plomería.

Para ajustar la temperatura del agua que sale de la válvula, hale el disco otra vez a la posición donde se puede remover el Tope del Limite Rotacional y reajuste el engranaje de los dientes a la posición para la temperatura deseada. Al mover en dirección de las manecillas del reloj reducirá la temperatura del agua de salida, y al contrario aumentará la temperatura del agua de salida. El cambio de temperatura por cada diente (muesca) puede ser de 4°F-16°F dependiendo de la condición del agua de entrada. Si es necesario repítalo. Presione el disco hasta que está asentado completamente. **ADVERTENCIA:** Si no reinstala el Disco después de hacer el ajuste del Tope del Limite Rotacional pudiera escaldarse con agua demasiado caliente.

**ASEGÚRESE QUE EL AGUA FRÍA FLUYA DE LA VÁLVULA PRIMERO. ASEGÚRESE QUE EL AGUA QUE FLUYE DE LA VÁLVULA EN LA POSICIÓN MÁS CALIENTE POSIBLE NO EXCEDA 120°F O EL MÁXIMO PERMITIDO POR SUS CÓDIGOS LOCALES DE PLOMERÍA.**

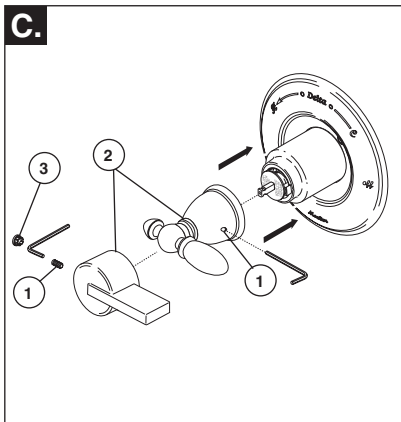
## 4

### Instalación Final

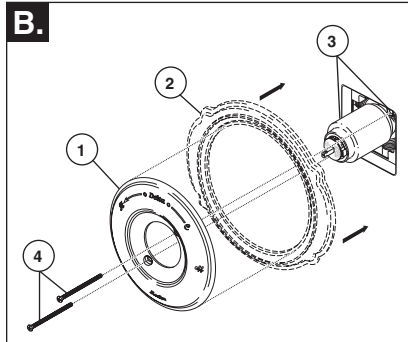


Deslice el aro O (1) sobre el cartucho y la tuerca tapa (2). El aro O, el cual funciona como un separador para estabilizar la manga, debe quedar apoyado en la tuerca tapa.

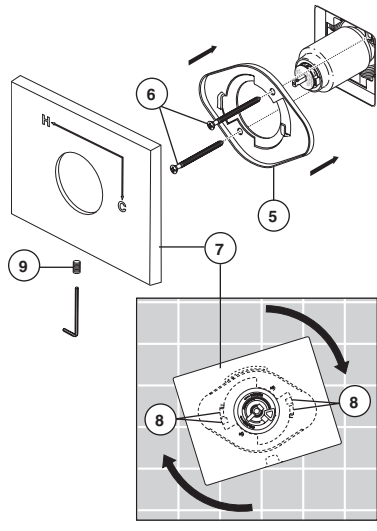
Si su modelo requiere un separador (3), insértelo en la manga (4) y empújelo hacia el frente. Deslice la manga sobre el cartucho, el cuerpo de la pieza y el aro O.



Instale la manija (2) en la espiga, usando una llave Allen para fijar el tornillo de ajuste (1). Insertar el botón obturador (3) (si su modelo tiene uno) en el agujero de tornillo de ajuste.



**La instalación de la roseta para los modelos T14053, T14253 y T14453.**



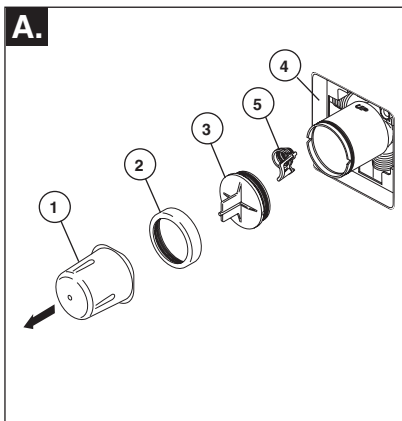
Fije la roseta con orificio (1) y la placa de atrás (2) (si su modelo tiene una) al soporte (3) usando los 2 tornillos suministrados (4). No apriete demasiado los tornillos de la roseta.

**Para los modelos T14053, T14253 y T14453:** Instale el soporte (5) sobre el cuerpo del cartucho usando los 2 tornillos incluidos (6). Instale la chapa de base (7) colocándola sobre el soporte como se muestra y girándola para que encaje en las muescas (8). Fije la chapa de base al soporte usando el tornillo de ajuste (9).

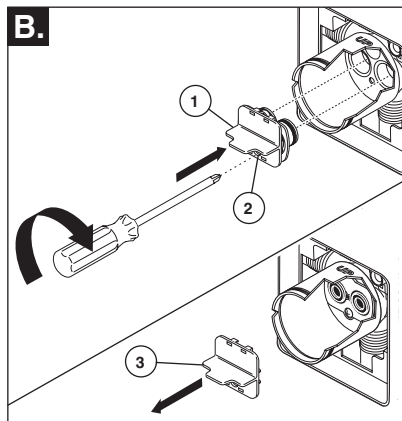
# Instalación de la Serie 17

## 1

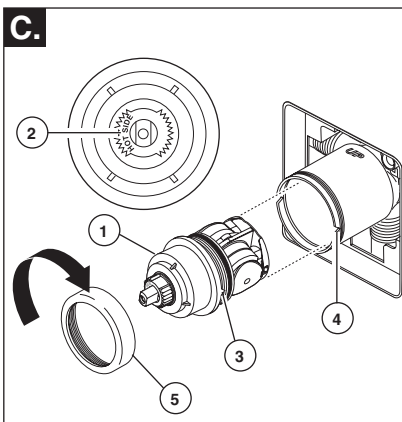
### Instalación del Cartucho



**Cierre los suministros de agua.** Quite la cubierta (1), la tuerca tapa (2) y la tapa de prueba (3). Si no es para instalar en pared delgada, puede quitar el protector (4) de yeso completo. Si la pantalla (5) está en lugar, quite antes de instalar el cartucho.

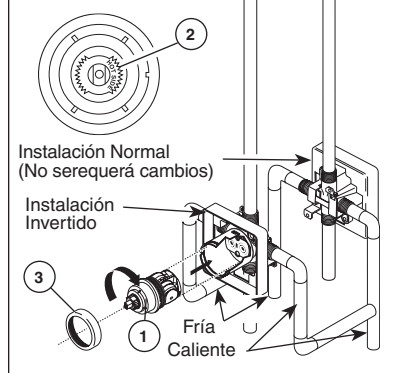


Introduzca el adaptador (1) en la válvula. Asegúrese que el adaptador estén correctamente colocados dentro de los orificios en la base de la válvula. Fije el adaptador con el tornillo (2) suministrado con el adaptador. Quite el retenedor (3) del adaptador.



Gire el cartucho (1) de manera que las palabras 'HOT SIDE' (LADO CALIENTE) (2) aparezcan en la izquierda. Introduzca el cartucho en la válvula. Asegúrese que la guía (3) en el cartucho esté totalmente encajada en la muesca del cuerpo de latón (4). Deslice la tuerca tapa (5) sobre el cartucho y enrosque en el cuerpo de la válvula. Apriete a mano bien.

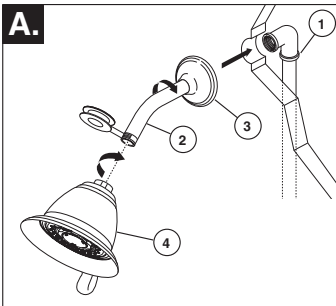
### Instalación de Espalda a Espalda



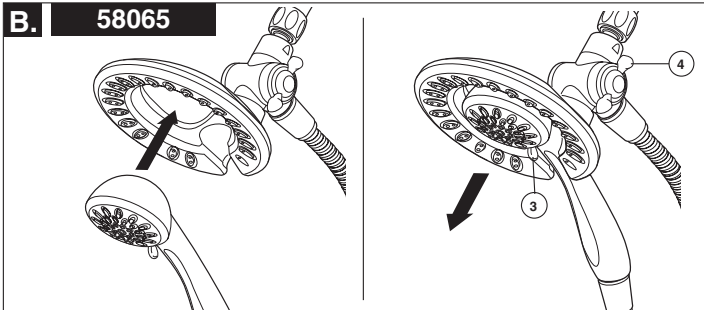
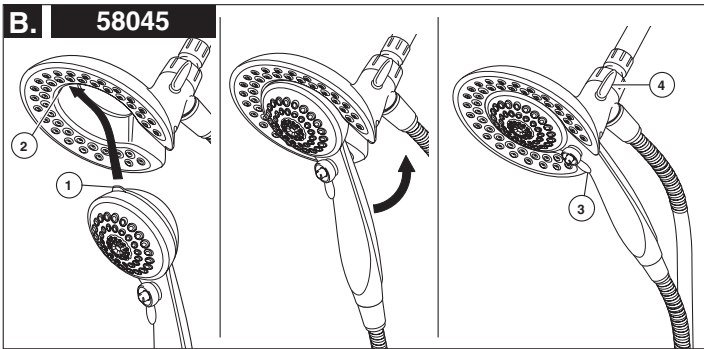
En las instalaciones dorso con dorso (el agua caliente en la derecha y la fría en la izquierda): Gire el cartucho (1) de manera que las palabras "HOT SIDE" (LADO CALIENTE) (2) aparezcan en la derecha. Instale el cartucho asegurando que la guía quede totalmente encajada en la muesca de la pieza de latón. Deslice la tuerca tapa (3) sobre el cartucho y enrosque en el cuerpo de la válvula. Apriete a mano bien.

## 2

### Instalación de la Cabeza de la Regadera y el Surtidor de la Bañera



**PARA LAS INSTALACIONES DE LAS CABEZAS DE REGADERA:** Conecte la toma de salida de agua superior (1) al brazo de la regadera (2) con los accesorios apropiados. Para prevenir daño al acabado del brazo de la regadera, introduzca el extremo que va hacia la pared del brazo de la regadera dentro del reborde (3) antes de atornillar el brazo en la conexión de la tubería vertical. Aplique cinta Teflon® a los enrosques de la tubería. No apriete demasiado la cabeza de la regadera.



**B. 58045:** Para combinar las dos regaderas, inserte la lengüeta superior (1) en la regadera de mano en la muesca (2) de la cabeza de la regadera. Oprima la regadera de mano en la cabeza de la regadera hasta que las dos partes encajen y queden juntas.

**58065:** Para combinar las dos regaderas, oprima la regadera de mano en la cabeza de la regadera hasta que las dos partes encajen y queden juntas. A continuación, tire hacia abajo la regadera de mano hasta que quede fija con la cabeza de la regadera.

Si la cabeza de la regadera se mueve cuando retira la regadera manual, apriete a mano la conexión entre la cabeza de la regadera y el brazo de la regadera.

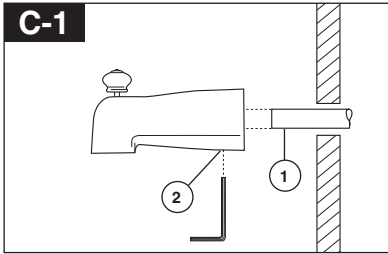
Para cambiar los modos de rocío de la regadera, mueva la palanca (3) de izquierda a derecha al ajuste deseado. Gire la perilla (4) (para cambiar el flujo de agua para que salga sólo por la cabeza de la regadera, o por la cabeza de la regadera y regadera manual o sólo por la regadera manual).

# Instalación de la Serie 17

## 2

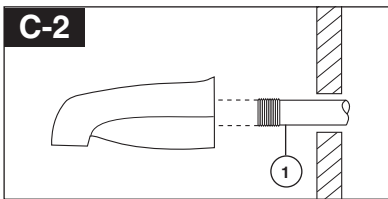
### Showerhead and Tub Spout Installation

**PARA LA INSTALACIÓN DEL SURTIDOR DE LA BAÑERA:** Refiérase a las instrucciones para la instalación suministradas con su surtidor. No conecte los surtidores para las instalaciones en las superficies horizontales en las válvulas dentro de las paredes. No use las regaderas de mano en vez de un surtidor de bañera conectado a una válvula de bañera/regadera. No use la tubería PEX como tubería entre la válvula y el surtidor de la bañera.



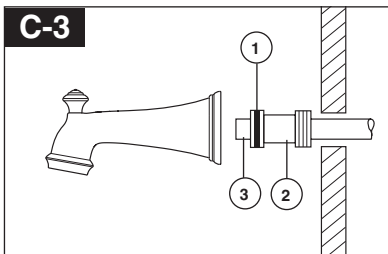
#### Instalación deslizable

El tubo de cobre (1) debe ser de 1/2" de cobre nominal. Importante: Si es necesario cortar el tubo de cobre, el extremo debe biselarse que quede libre de rebabas para prevenir cortar o mellar el aro O dentro del tubo de cobre. Deslice el surtidor sobre el tubo de cobre al ras con la bañera o la superficie de la pared acabada. Apriete el tornillo de ajuste (2), pero no apriete demasiado.



#### Instalación de la tubería de Hierro

Instale una enterrosca de tubo enroscado de 1/2" (13 mm) (1) para extenderse por delante de la pared acabada. Aplique cinta Teflon® a las roscas en la enterrosca de tubo y atornille el surtidor de la bañera.

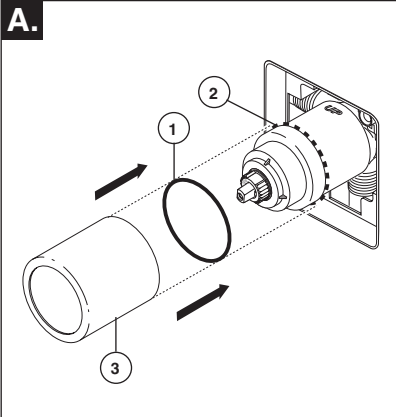


#### Instalación de Soldadura de Cobre

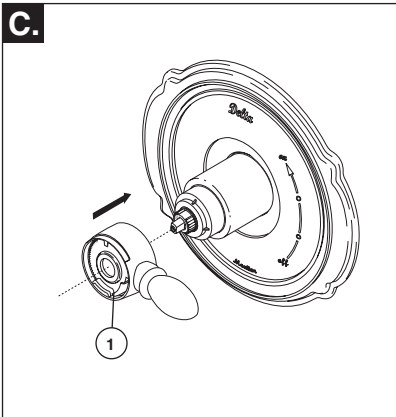
Quite el aro O (1) del adaptador (2). Suelde el adaptador al tubo asegurando de mantener la soldadura lejos de las muesca del aro O. **AVISO: NO SE PERMITE SOLDAR EN EL DIAMETRO EXTERIOR DEL ADAPTADOR ADJUNTO A LA MUESCA DEL ARO O.** Corte el tubo (3) y coloque otra vez el aro O en la muesca del adaptador de latón. Atornille la bañera/surtidor al adaptador, asegurando no dañar el aro O, y apriete a mano bien hasta que el surtidor quede firmemente contra la pared acabada y no quede flojo detrás de la pared.

## 3

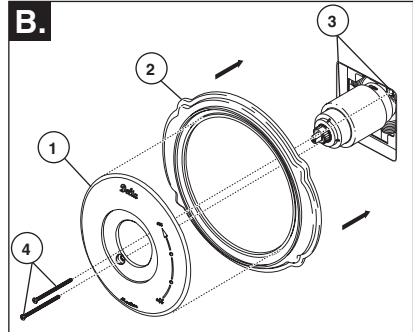
### Instalación Final



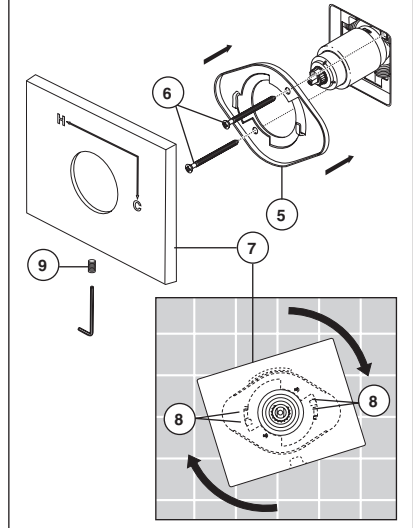
Deslice el aro O (1) sobre el cartucho y la tuerca tapa (2). El aro O, el cual funciona como un separador para estabilizar la manga, debe quedar apoyado en la tuerca tapa. Deslice la manga (3) sobre el cartucho, el cuerpo de la pieza y el aro O.



Instale la manija de control del volumen (1) con la palanca hacia la derecha, luego gírela a la posición abierta. **NO FIJE CON TORNILLO.**



**La instalación de la roseta para los modelos T17053, T17253 y T17453.**



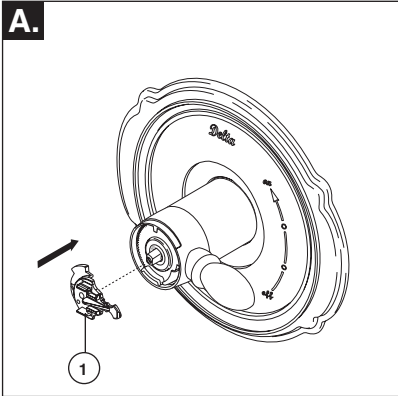
Fije la roseta con orificio (1) y la placa de atrás (2) (si su modelo tiene una) al soporte (3) usando los 2 tornillos suministrados (4). No apriete demasiado los tornillos de la roseta.

**Para los modelos T17053, T17253 y T17453:** Instale el soporte (5) sobre el cuerpo del cartucho usando los 2 tornillos incluidos (6). Instale la chapa de base (7) colocándola sobre el soporte como se muestra y girándola para que encaje en las muescas (8). Fije la chapa de base al soporte usando el tornillo de ajuste (9).

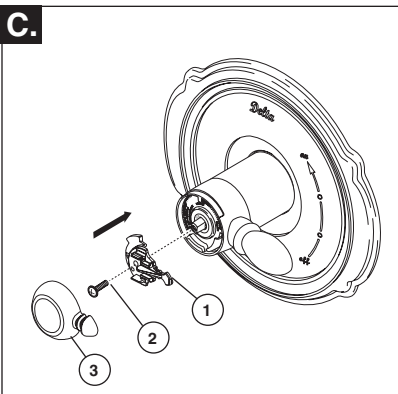
# Instalación de la Serie 17

## 4

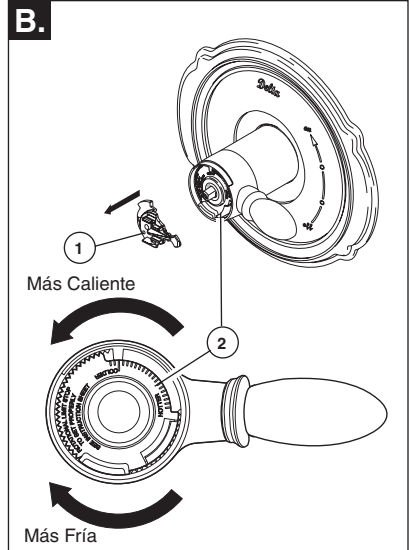
### Instalación y Ajuste del Tope que Limita la Rotación



Instalación y Ajuste del Tope que Limita la Rotación Coloque la perilla para el control de la temperatura (1) en la manija para controlar el volumen y gire a la posición mixta (si se requiere). **NO FIJE CON TORNILLO.** Abra los suministros de agua; deje que el agua corra hasta que ambas, el agua caliente y la fría, estén lo más caliente/fría posible. Coloque el termómetro en un vaso plástico, y sostenga el vaso debajo del chorro de agua. Tome nota de la temperatura.



Fije la perilla para el control de la temperatura (1) con un tornillo (2) y coloque a presión la cubierta del control (3) en la perilla. **NOTA:** Fije con un tornillo hasta que se reduzca el tambaleo de la manija, **NO APRIETE TOTALMENTE.** Si aprieta demasiado no podrá operar la perilla para el control de la temperatura fácilmente. El tornillo se cierra automáticamente.



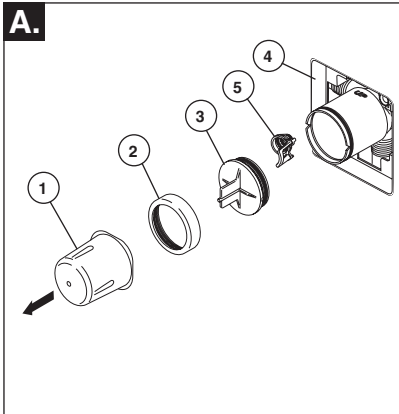
Si la temperatura del agua es más de 120°F, quite la perilla para el control de la temperatura (1) y gire el tope (2) en sentido de las manecillas del reloj un diente por cada 4°F-6°F (aproximadamente) de cambio de temperatura. Si la temperatura del agua es más fría de lo deseado, gire el tope en sentido contrario de las manecillas del reloj.

**IMPORTANTE:** La primera posición del tope que limita la rotación (el pare) es aquella que limita más la rotación de la espiga y es la que está en la colocación máxima en sentido contrario a las manecillas del reloj. De acuerdo a los estándares de la industria, la temperatura máxima permitida del agua que sale de la válvula es 120° F. Esta temperatura puede variar en su área. Si el agua de entrada cambia de temperatura, se puede requerir el reajuste del tope que limita la rotación. Por ejemplo, durante el invierno, la temperatura del agua fría es más fría que durante el verano, esto puede resultar en temperaturas variadas de agua de entrada. La temperatura típica para un baño o ducha agradable es entre 90°-110° F.

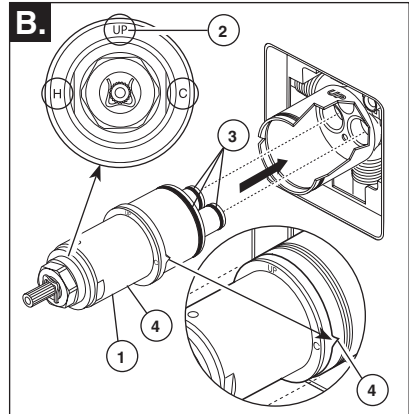


## 1

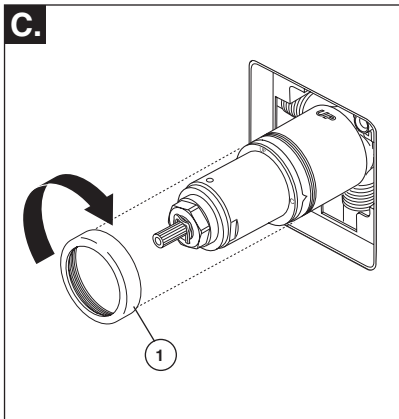
### Instalación del Cartucho



**Cierre los suministros de agua.** Retire la cubierta (1), la tuerca tapa (2) y la tapa de prueba (3) del cuerpo. Coloque un balde o recipiente pequeño en la parte del frente del cuerpo de la válvula y lentamente abra el suministro de agua para eliminar cualquier residuo de las líneas de agua antes de instalar el cartucho. Cierre, de nuevo, el suministro de agua. Si no es para una instalación en pared delgada, puede quitar el protector de yeso completo (4). Si la rejilla o colador (5) está en su lugar, quítela antes de instalar el cartucho.

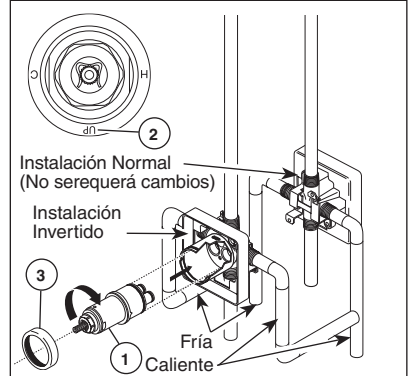


Gire el cartucho (1) de manera que la palabra "UP" (2) aparezca en la parte superior. La "H" debe estar en el lado caliente y la "C" debe estar en el lado frío. Agregue lubricante de silicón a las tres juntas tóricas (3) como se muestra más arriba para facilitar la instalación y la retirada del cartucho del cuerpo de la válvula. Inserte el cartucho en el cuerpo de la válvula como se muestra. Asegúrese que las llaves en el cuerpo están totalmente engranadas en las ranuras en el cuerpo (4).



Deslice la tuerca tapa (1) sobre el cartucho y enrosque en el cuerpo de la válvula. Apriete a mano bien.

### Instalación de Espalda a Espalda

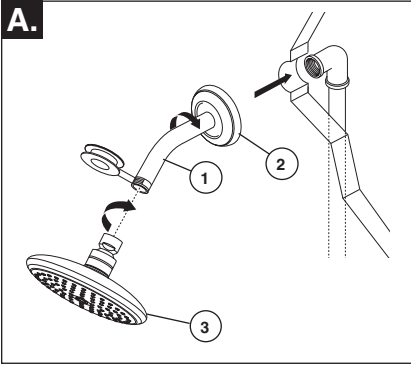


Solo para las excepciones en instalaciones de dorso con dorso o en reverso (el agua calienten la derecha y fría en la izquierda): Gire el cartucho (1) de manera que la "H" está en el lado caliente y la "C" está en el lado frío y la palabra "UP" (2) aparece en la parte inferior. Agregue lubricante de silicón a las tres juntas tóricas (3) como se muestra más arriba para facilitar la instalación y la retirada del cartucho del cuerpo de la válvula. Inserte el cartucho en el cuerpo de la válvula como se muestra. Asegúrese que las llaves en el cuerpo están totalmente engranadas en las ranuras en el cuerpo de bronce (vea la página B). Deslice la tuerca tapa (3) sobre el cartucho y enrosque en el cuerpo. Apriete a mano bien.

## Instalación de la Serie 17T

# 2

### Instalación de la Cabeza de la Regadera y el Surtidor de la Bañera



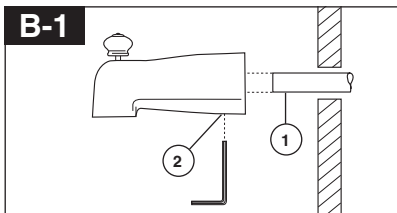
#### INSTALACIÓN DE LA REGADERA / DUCHA:

Aplique cinta Teflon® a las roscas en ambos extremos del brazo de la regadera (1). Para prevenir daño al acabado del brazo de la regadera, inserte el extremo de la pared del brazo de la regadera en la brida de ésta (2) antes de enroscar el brazo en la conexión a la tubería interior.

Enrosque la regadera (3) en el brazo de la regadera.

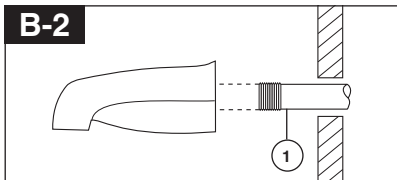
No apriete la regadera demasiado.

**PARA LA INSTALACIÓN DEL SURTIDOR DE LA BAÑERA:** Refiérase a las instrucciones para la instalación suministradas con su surtidor. No conecte los surtidores para las instalaciones en las superficies horizontales en las válvulas dentro de las paredes. No use las regaderas de mano en vez de un surtidor de bañera conectado a una válvula de bañera/regadera. No use la tubería PEX como tubería entre la válvula y el surtidor de la bañera.



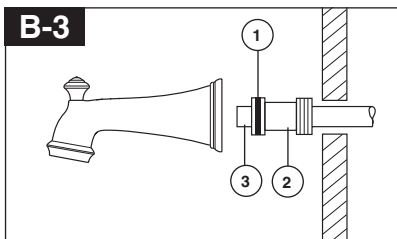
#### Instalación deslizable

El tubo de cobre (1) debe ser de 1/2" de cobre nominal. Importante: Si es necesario cortar el tubo de cobre, el extremo debe biselarse que quede libre de rebabas para prevenir cortar o mellar el aro O dentro del tubo de cobre. Deslice el surtidor sobre el tubo de cobre al ras con la bañera o la superficie de la pared acabada. Apriete el tornillo de ajuste (2), pero no apriete demasiado.



#### Instalación de la tubería de Hierro

Instale una enterrosca de tubo enroscado de 1/2" (13 mm) (1) para extenderse por delante de la pared acabada. Aplique cinta Teflon® a las roscas en la enterrosca de tubo y atornille el surtidor de la bañera.

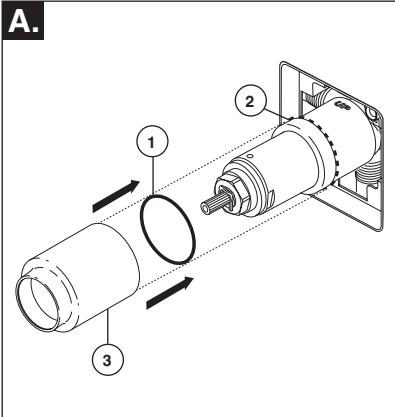


#### Instalación de Soldadura de Cobre

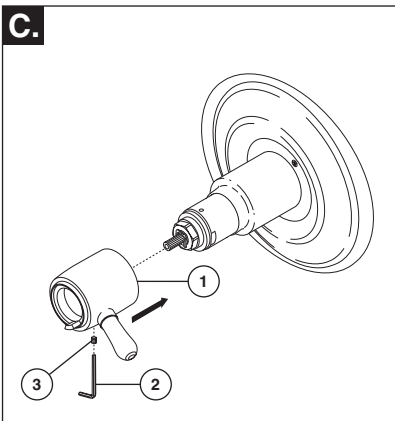
Quite el aro O (1) del adaptador (2). Suelde el adaptador al tubo asegurando de mantener la soldadura lejos de las muescas del aro O. **AVISO: NO SE PERMITE SOLDAR EN EL DIAMETRO EXTERIOR DEL ADAPTADOR ADJUNTO A LA MUESCA DEL ARO O.** Corte el tubo (3) y coloque otra vez el aro O en la muesca del adaptador de latón. Atornille la bañera/surtidor al adaptador, asegurando no dañar el aro O, y apriete a mano bien hasta que el surtidor quede firmemente contra la pared acabada y no quede flojo detrás de la pared.

## 3

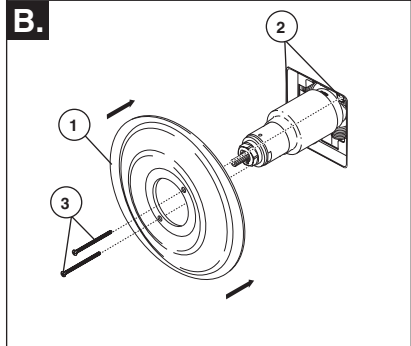
### Instalación Final



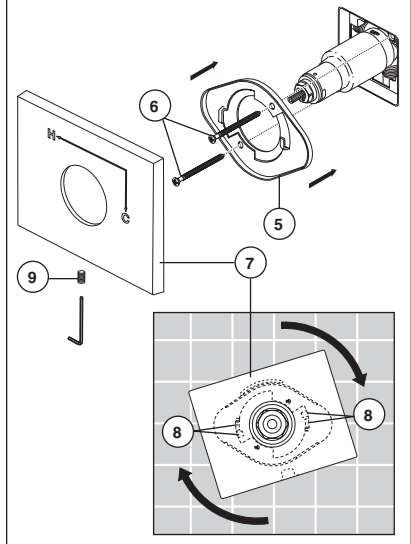
Deslice el aro O (1) sobre el cartucho y la tuerca tapa (2). El aro O, el cual funciona como un separador para estabilizar la manga, debe quedar apoyado en la tuerca tapa. Deslice la manga (3) sobre el cartucho, el cuerpo de la pieza y el aro O.



Instale la manija de control de volumen (1) con la palanca a la derecha, usando una llave Allen (2) de asegurar con el tornillo de presión (3).



La instalación de la roseta para los modelos T17T053, T17T253 y T17T453.



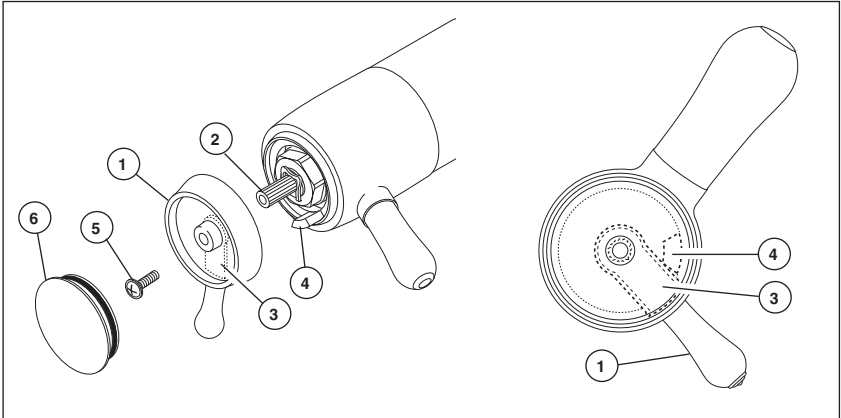
Fije la roseta con orificio (1) al soporte (2) usando los 2 tornillos suministrados (3). No apriete demasiado los tornillos de la roseta.

**Para los modelos T17T053, T17T253 y T17T453:** Instale el soporte (5) sobre el cuerpo del cartucho usando los 2 tornillos incluidos (6). Instale la chapa de base (7) colocándola sobre el soporte como se muestra y girándola para que encaje en las muescas (8). Fije la chapa de base al soporte usando el tornillo de ajuste (9).

## Instalación de la Serie 17T

### 4

#### Instalación y Ajuste del Pomo de Temperatura El no hacerlo puede causar lesión.



#### ¡Ajuste el tope del límite de temperatura!

Abra los suministros de agua; **DEJE QUE CORRA EL AGUA CALIENTE Y FRÍA TOTALMENTE ABIERTA PARA ASEGURAR QUE EL AGUA ESTÁ FLUYENDO LO MÁS CALIENTE/FRÍA POSIBLE.** Coloque un termómetro en un vaso plástico, y sostenga el vaso bajo un chorro de agua. Coloque la perilla de temperatura (1) en las ranuras (2), luego gire la perilla de temperatura hasta que logre su temperatura máxima deseada

de salida (no más de 120° ó la temperatura más baja autorizada por su código local de plomería). Quite el pomo de la temperatura y colóquela otra vez en las ranuras (2), asegurándose que el pomo del tope del límite de la temperatura (3) pegue contra la manija del tope del límite del volumen (4) como se muestra. Fije el pomo de la temperatura usando un tornillo (5) y coloque la tapa (6) en el pomo.

## Limpeza y Cuidado de su Llave

Tenga cuidado al ir a limpiar este producto. Aunque su acabado es sumamente durable, puede ser afectado por agentes de limpieza o para pulir abrasivos. Para limpiar su llave, simplemente frótelas con un trapo húmedo y luego séquela con una toalla suave.

**¡ADVERTENCIA! No se puede usar SCRUBBING BUBBLES® BATHROOM CLEANER o LYSOL® BASIN TUB AND TILE CLEANER en las manijas transparentes.** El uso de estos productos pueden resultar en manijas rajados o severamente dañados. Si estos productos caen sobre la manija, séquelo inmediatamente con una toalla de algodón suave.

## Mantenimiento de las Series 13 / 14

### **La llave tiene fugas de agua en la salida de tina/cabeza deregadera–**

**CIERRE LOS SUMINISTROS DE AGUA.**

Reemplace Asientos y Resortes–Equipo de Reparaciones RP4993 Verifica el condición de los anillos "O" más bajo y repongalos si será necesario RP14414. Vea Sugerencias Útiles 1, 2, y 3.

### **Si la fuga de agua persiste–**

**CIERRE LOS SUMINISTROS DE AGUA.**

Reemplace el ensamble de Tapón Equipo de Reparaciones RP46070 o cartucho de válvula RP46074. Vea Sugerencia Útiles 1, 2, 3 y 5.

### **No se puede mantener temperatura de agua constante:**

Reemplace ensamble de caja con RP46071 o sigue los instrucciones en Sugerencias Útiles 1, 2, 4 y 5.

### **Sugerencia Útiles:**

1. Antes de remover el ensamble del cartucho de la válvula para hacerle cualquier servicio, fíjese en la posición del tope del límite rotacional ubicado en la tapa. Siempre se debe reponer el ensamble de cartucho de válvula en el mismo posición. **TENGA CUIDADO** después de cumplir el instalación dele vuelta a la válvula para asegurar que AGUA FRIA SALGA PRIMERO.

2. Para quitar el cartucho de válvula del cuerpo, cierre los suministros de agua y quite el maneral y

bonete. No se debe quitar el cartucho de válvula del cuerpo con atornillador. Ponga el maneral encima el vástago y giralo en el sentido contrario al de las agujas del reloj aproximado 1/4 vuelta. Levanta el cartucho de válvula aguera el cuerpo.

3. Para quitar los asientos y resortes, quite el cartucho de válvula, (vea arriba). Separa ensamble de botón de ensamble de caja girando el botón 90o en el sentido contrario al de las agujas del reloj. Separa ensambles de botón y caja. Quite los asientos y resortes y ponga los asientos y resortes nuevos. Ponga primero el diámetro mas grande del resorte adentro la bolsa del asiento y luego apreta el remate ahusado del sello hacia arriba el resorte. Reensamble el cartucho de válvula y repongalo en el cuerpo siguiendo los instrucciones en nota 1 arriba.

4. Si la agua en su area contiene cal, orín, arena o otros contaminamientos, su válvula de equilibrio de presión requerá inspecciones periódico. La frecuencia de los inspecciones depende en el tamaño de contaminamientos en la agua. Para inspeccionar el cartucho, quite el cartucho, sigue los pasos apuntado en nota 1 arriba. Dele vuelta al válvula hasta el posición completamente mixto y sacude el cartucho riguroso. Si hay traqueteo, funciona el unidad y se puede reinstalar siguiendo nota 1 de arriba. Si no hay traqueteo, reemplace el ensamble de caja (RP46071).

5. Presione el disco hasta que está asentado completamente. Vea la página 5 para más detalles.

## Mantenimiento de la Serie 17T

### **No recibe más de un goteo de agua:**

Ambas líneas de suministro de agua, la caliente y la fría, deben estar presurizadas. Si sólo un lado está presurizado, el sistema no permitirá el flujo adecuado de agua.

### **Si la llave tiene fugas desde la regadera / ducha:**

Retire la cabeza de la regadera luego, cierre y abra el flujo de agua y verifique si el cartucho tiene alguna fuga o si la regadera está escurriéndose lentamente (si el agua dreña lentamente, puede ser necesario limpiar la cabeza de la regadera).

### **Si la filtración o fuga persiste - CIERRE LOS SUMINISTROS DE AGUA**

Cambie el cartucho - RP47201.

### **No se puede establecer o mantener la temperatura del agua mixta:**

**CIERRE LOS SUMINISTROS DE AGUA.** Retire el ensamble de la manija, la manga, y la tuerca tapa. Asegúrese que la marca "H" en el cartucho quede alineada con la entrada de agua caliente y la marca "C", en el cartucho, quede alineada con la entrada del agua fría al cuerpo de la válvula. El cartucho termostático no puede funcionar si las entradas de agua fría y caliente están invertidas.

**Flujo bajo:** el flujo bajo puede ser por causa de obstrucciones en los filtros dentro del cartucho termostático.

Para limpiar las rejillas o filtros del agua caliente y fría en el cartucho, siga los siguientes pasos:

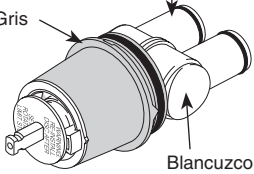
1. **CIERRE LOS SUMINISTROS DE AGUA.**
2. Retire el ensamble de la manija.
3. Desenrosque la parte hexagonal del cartucho.
4. Limpie cuidadosamente los residuos de los filtros bajo el chorro de agua. Si los residuos son difíciles de eliminar, entonces deje los filtros remojando durante la noche en una solución del 50% de agua y 50% de vinagre.
5. Vuelva a ensamblar el cartucho.
6. Vuelva a colocar la manija.
7. Abra el flujo de agua otra vez.
8. Restablezca el tope del límite antes de utilizar la válvula.

## Hoja resumen de referencia para el cartucho

**Unidades enviadas en  
Marcha de 2006 y después.**

### MultiChoice® 13/14

Bastidor más Largo  
Ubicado más Abajo  
Gris

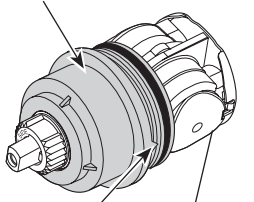


Blancuzco

**Ordene el Repuesto RP46074  
para cambiar el cartucho.**

**17**

Tapa Gris Superior



Muesca V

Adaptador

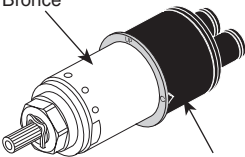


Más corto Tapa

**Ordene el Repuesto RP46463  
para cambiar el cartucho.**

**17T**

Bronce



Negro

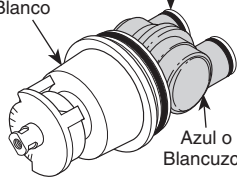
**Ordene el Repuesto RP47201  
para cambiar el cartucho.**

**Unidades enviadas antes de  
Marcha de 2006.**

### Viejo Monitor® 1300/1400

Más corto Más abajo Bastidor

Blanco

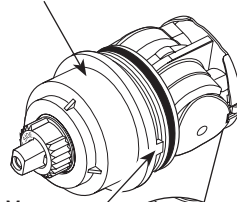


Azul o  
Blancuzco

**Ordene el Repuesto RP19804  
para cambiar el cartucho.**

**1700**

Tapa Blanca Superior



Muesca  
Cuadrada

Lengüeta más Larga

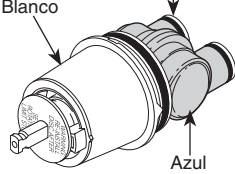
**Ordene el Repuesto RP32104  
para cambiar el cartucho.**

**Los cartuchos del reem-  
plazo enviaron en julio de  
2006 y después.**

### Nuevo Monitor® 1300/1400

Más corto Más abajo Bastidor

Blanco



Azul

**Ordene el Repuesto RP19804  
para cambiar el cartucho.**

**No  
Applicable**

**No  
Applicable  
No ajusta**

**No  
Applicable**



# Instructions d'installation Finition de la soupape MultiChoice®



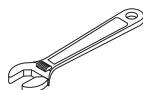
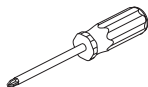
ASME A112.18.1 / CSA B125.1  
ASSE 1016 (Type -P- or -T-)

## Guide d'utilisation

13, 14, 17 et 17T  
Séries

Inscrivez le numéro de modèle ici.

### Articles dont vous pouvez avoir besoin:



### Table des matières

Garanties .....	Page 2
Instructions d'installation - Séries 13 et 14 .....	Pages 3 - 7
Instructions d'installation – Série 17 .....	Pages 8 - 12
Instructions d'installation – Série 17T .....	Pages 13 - 16
Maintenance .....	Pages 16 - 17
Fiche de référence sommaire de la cartouche .....	Page 18
Pièces de rechange .....	Pages 19 - 54

**Ce robinet satisfait aux exigences des normes ASME A112.18.1/CSA B125.1 et ASSE 1016 (Type -P- or -T) ou les surpasse.**

**ATTENTION:** L'installateur doit régler l'appareil pour que la température maximale de l'eau chaude soit sans danger. Toute modification des réglages peut entraîner une élévation de la température à la sortie du robinet au delà de la température sans danger et pourrait causer un échaudage.

**AVIS À L'INSTALLATEUR : ATTENTION!** – En qualité d'installateur, vous êtes tenu d'INSTALLER et de RÉGLER ce robinet conformément aux instructions. Ce robinet ne s'adapte pas automatiquement aux fluctuations de la température de l'eau d'alimentation. Par conséquent, il faut régler la butée limitatrice de température ou le bouton de température au moment de l'installation et il peut être nécessaire de faire de nouveaux réglages par la suite en raison des fluctuations saisonnières de la température de l'eau. **VOUS DEVEZ informer le propriétaire ou l'utilisateur de cette exigence.** En cas de doute quant à la marche à suivre pour faire ces réglages, veuillez consulter page 6 (Séries 13 et 14), page 12 (Série 17) ou page 16 (Série 17T) si un doute persiste, et si cette incertitude persiste, appelez-nous au 1-800-345-DELTA.

Après avoir terminé l'installation et le réglage, vous devez inscrire, sur l'étiquette de mise en garde fournie, votre nom, le nom de votre entreprise et la

date à laquelle vous avez réglé la butée limitatrice de température ou le bouton de température, puis fixer l'étiquette à l'endos de la porte de la coiffeuse.

Vous devez également fixer l'étiquette d'avertissement au chauffe-eau. **Veuillez laisser ce feuillet d'instructions au propriétaire ou à l'utilisateur pour qu'il puisse le consulter au besoin.**

**MISE EN GARDE –** Ce robinet thermostatique à équilibrage de pression pour baignoire est conçu pour limiter les effets des fluctuations de température de l'eau causées par les variations de la pression d'alimentation attribuables au fonctionnement d'un lave-vaisselle, d'une machine à laver, d'un cabinet d'aisances ou d'un autre appareil qui consomme de l'eau. Il peut ne pas protéger l'utilisateur contre l'échaudage en cas de défectuosité d'un autre dispositif de régulation de la température, si le réglage de la butée limitatrice de haute température ou du bouton de température est mauvais, si la température de l'eau chaude a été modifiée après que les réglages ont été effectués ou si la température de l'eau d'alimentation a changé en raison du changement de saison.

**MISE EN GARDE –** N'installez pas de dispositif d'arrêt sur une sortie quelconque de ce robinet. En interrompant l'écoulement de l'eau, ce dispositif peut empêcher le robinet d'équilibrer les pressions d'eau chaude et d'eau froide.

## Garantie à vie limitée des robinets et de leurs finis

Toutes les pièces et les finis du robinet Delta® sont protégés contre les défauts de matériau et les vices de fabrication par une garantie qui est consentie au premier acheteur et qui demeure valide tant que celui-ci demeure propriétaire de sa maison. Delta recommande de faire appel à un plombier compétent pour l'installation et la réparation du robinet.

Pendant la période de garantie, Delta remplacera GRATUITEMENT toute pièce ou tout fini, présentant une défectuosité de matériau ou un vice de fabrication pour autant que l'appareil ait été installé, utilisé et entretenu correctement. Pour obtenir des pièces de rechange, veuillez communiquer par téléphone au numéro 1-800-345-DELTA (aux États-Unis ou au Canada) et par écrit à l'une des adresses suivantes :

**Aux États-Unis**  
Delta Faucet Company  
Product Service  
55 E. 111th Street  
Indianapolis, IN 46280

**Au Canada**  
Masco Canada Limited, Plumbing Group  
350 South Edgeware Road,  
St. Thomas, Ontario, Canada N5P 4L1

La présente garantie s'applique au remplacement de toutes les pièces défectueuses, y compris le fini, et elle ne couvre que ces éléments. **LES FRAIS DE MAIN-D'OEUVRE ET (OU) LES DOMMAGES PROVOQUÉS AU COURS DE L'INSTALLATION, DE LA RÉPARATION OU DU REMPLACEMENT D'UN ÉLÉMENT AINSI QUE LES PERTES OU DOMMAGES DE TOUTE**

**AUTRE NATURE NE SONT PAS COUVERTS PAR LA GARANTIE.** Toute réclamation en vertu de la présente garantie doit être adressée à Delta, accompagnée de la preuve d'achat (original de la facture) du premier acheteur. **CETTE GARANTIE EST LA SEULE OFFERTE PAR DELTA FAUCET COMPANY OU DELTA FAUCET CANADA, SELON LE CAS. ELLE EXCLUT TOUTE AUTRE GARANTIE, Y COMPRIS LA GARANTIE IMPLICITE DE QUALITÉ MARCHANDE.**

Les robinets installés dans un établissement industriel ou commercial ou dans une place d'affaires sont protégés par une garantie étendue de cinq ans qui prend effet à compter de la date d'achat. Toutes les autres conditions de la garantie de cinq ans sont identiques à celle de la présente garantie. La présente garantie s'applique à tous les robinets Delta® fabriqués après le 1er janvier 1995.

Dans les États ou les provinces où il est interdit d'exclure ou de limiter les responsabilités à l'égard des dommages indirects ou fortuits, les exclusions et les limites susmentionnées ne s'appliquent pas. Les dommages résultant d'une mauvaise utilisation, d'une utilisation abusive de la négligence ou de l'utilisation de pièces autres que des pièces d'origine Delta® **RENDENT LA GARANTIE NULLE ET SANS EFFET.**

La présente garantie vous donne des droits précis qui peuvent varier selon votre lieu de résidence. Elle ne s'applique qu'aux robinets Delta® installés aux États-Unis, au Canada et au Mexique.

© 2011 Division de Masco Indiana

## Garantie Limitée sur les Robinets Ultra-Robustes Delta de la Série HDF

Toutes les pièces des robinets ultra-robustes Delta de la série HDF sont protégées contre les défauts de matériau et (ou) les vices de conception par une garantie qui est consentie au premier acheteur pour une période de cinq (5) ans. Cette garantie entre en vigueur à compter de la date d'achat indiquée sur le reçu de l'acheteur.

Pendant la période de garantie, Delta remplacera, **SANS FRAIS**, toute pièce présentant une défectuosité du matériau et (ou) un vice de fabrication pour autant que l'appareil ait été installé, utilisé et entretenu correctement. Pour obtenir des pièces de rechange, veuillez communiquer avec le distributeur ou le concessionnaire de votre région dont le nom figure dans l'annuaire téléphonique ou retourner la pièce défectueuse accompagnée du reçu de l'acheteur à notre usine, **PORT PAYÉ**, à l'adresse indiquée. **LA PRÉSENTE GARANTIE EST LA SEULE GARANTIE IMPLICITE OFFERTE PAR DELTA. TOUTE RÉCLAMATION EN VERTU DE CETTE GARANTIE DOIT ÊTRE FAITE AU COURS DE LA PÉRIODE DE CINQ ANS SUSMENTIONNÉE. TOUTE GARANTIE IMPLICITE, Y COMPRIS LA GARANTIE**

**IMPLICITE DE QUALITÉ MARCHANDE OU D'ADÉQUATION DU PRODUIT AVEC UN USAGE PARTICULIER, EST LIMITÉE À LA DURÉE DE LA PRÉSENTE GARANTIE. LES FRAIS DE MAIN-D'OEUVRE ET (OU) LES DOMMAGES PROVOQUÉS AU COURS DE L'INSTALLATION, DE LA RÉPARATION OU DU REMPLACEMENT D'UN ÉLÉMENT AINSI QUE LES PERTES OU LES DOMMAGES INDIRECTS EN RÉSULTANT NE SONT PAS COUVERTS PAR CETTE GARANTIE.**

Là où il est interdit de limiter la durée de la garantie implicite ou les responsabilités à l'égard des dommages indirects, les exclusions et les limites susmentionnées ne s'appliquent pas.

La présente garantie vous donne des droits précis qui peuvent varier selon votre lieu de résidence.

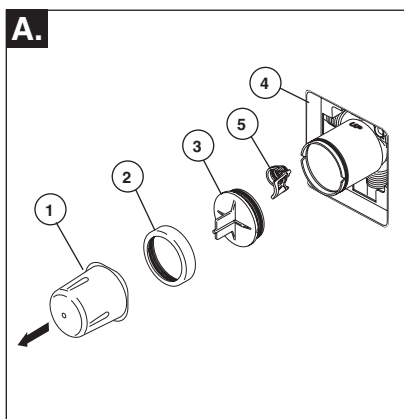
Les dommages résultant d'une mauvaise utilisation, d'une utilisation abusive, de la négligence, d'un accident, d'une mauvaise installation, du non respect de nos instructions ou de l'utilisation de pièces de rechange autres que des pièces d'origine Delta ne sont pas couverts par la garantie.

© 2011 Division de Masco Indiana

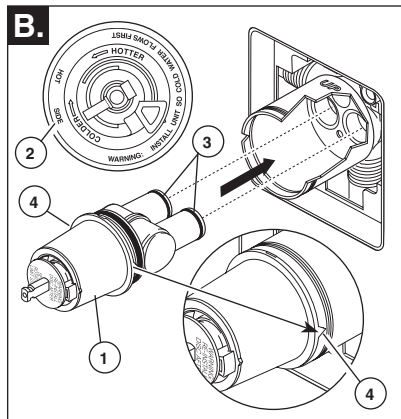


## 1

### Installation de la cartouche



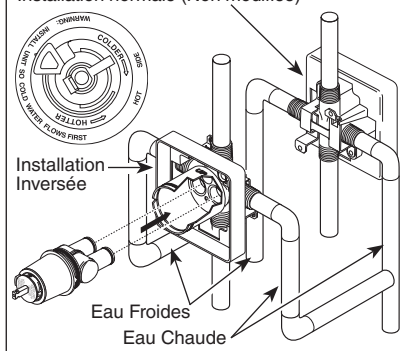
**Interrompez l'arrivée d'eau.** Enlevez le couvercle (1), l'écrou à portée sphérique (2) et le capuchon d'essai (3) du corps. Si vous n'installez pas l'appareil dans une paroi mince, vous pouvez retirer le protecteur (4) complètement. Si l'écran (5) est en place, enlevez avant d'installer la cartouche.



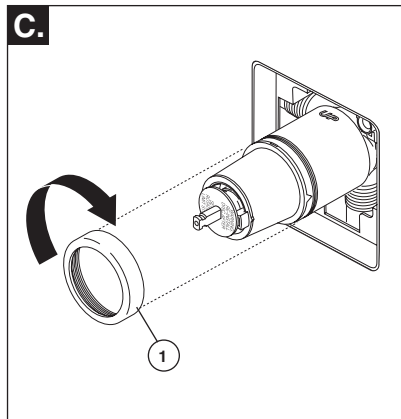
Tournez la cartouche (1) de sorte que la mention « hot side » (2) se trouve du côté gauche. Introduisez la cartouche dans le corps de la soupape comme le montre la figure. Assurez-vous que les tubes et les joints toriques (3) de la cartouche sont bien calés à la base du corps. Assurez-vous que les ergots sur le corps sont parfaitement engagés dans les rainures du corps (4).

### Installation dos à dos

Installation normale (Non modifiée)



Dans le cas d'une installation dos à dos ou inversée (eau chaude à droite et eau froide à gauche), introduisez la cartouche de sorte que la mention « hot side » se trouve du côté droit. S'il ne s'agit pas d'une installation dos à dos ou inversée, sautez la présente étape et passez à l'étape 1C.

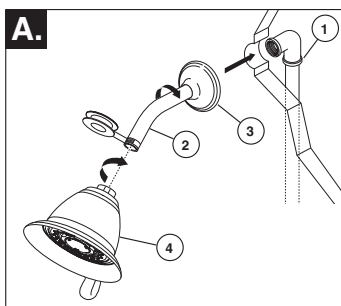


Faites glisser l'écrou à portée sphérique (1) sur la cartouche et vissez-le sur le corps. Serrez à la main fermement.

## Installation – Séries 13 et 14

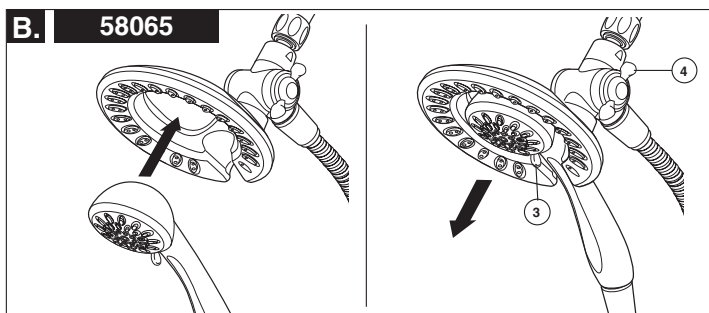
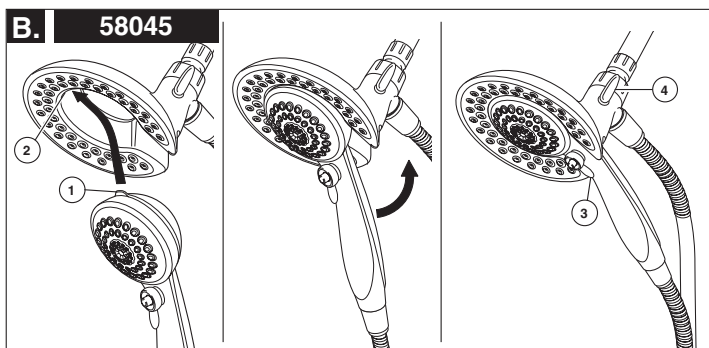
# 2

### Installation de la pomme de douche et du bec de baignoire



#### INSTALLATION DE LA POMME DE DOUCHE :

Raccordez la sortie supérieure (1) au tuyau d'alimentation de la pomme de douche (2) à l'aide des raccords appropriés. Pour éviter d'abîmer le fini du tuyau de la pomme de douche, introduisez le côté « mur » de celui-ci dans la collerette (3) avant de le visser dans le raccord du tuyau vertical. Appliquez du ruban de Téfion® sur les filets. Vissez la pomme de douche (4) sur le tuyau. Appliquez du ruban de Téfion® sur les filets. Prenez garde de serrer la pomme de douche excessivement.



**B. 58045:** Pour combiner les deux douches, introduisez la patte supérieure (1) de la douche à main dans la rainure (2) de la pomme de douche. Poussez la douche à main dans la pomme de douche jusqu'à ce que les deux éléments se bloquent ensemble et deviennent solidaires.

**58065:** Pour combiner les deux douches, poussez la douche à main dans la pomme de douche, tirez ensuite sur la douche à main pour la verrouiller avec la pomme de douche.

Si la pomme de douche bouge pendant que vous retirez la douche à main, serrez le raccord entre la pomme de douche et le bras de douche à la main.

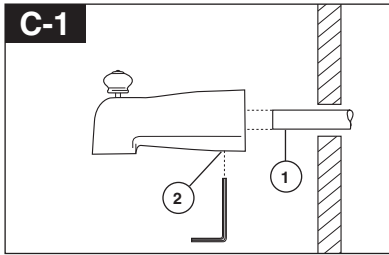
Pour changer le mode de pulvérisation, tournez la manette (3) vers la gauche ou la droite selon le réglage désiré. Utilisez le bouton (4) pour sélectionner les modes douche seulement, douche et douche à main ou douche à main seulement.

## 2

### Showerhead and Tub Spout Installation

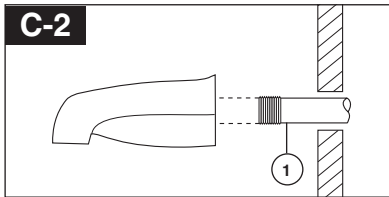
#### INSTALLATION DU BEC DE BAINOIRE :

Consultez les instructions d'installation fournies avec le bec. Ne raccordez pas à une soupape murale à un bec conçu pour être monté sur une plaque. Ne raccordez pas une douche à main à la sortie d'un robinet de baignoire-douche prévue pour un bec de baignoire. N'utilisez pas de tube PEX pour raccorder le bec.



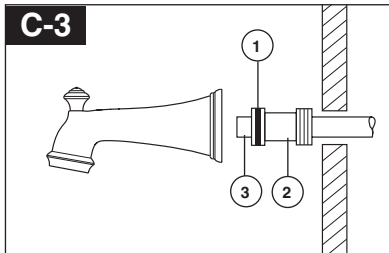
#### Installation d'un bec coulissant

Le tube de cuivre (1) doit avoir un diamètre nominal de 1/2 po. Important : Si vous devez couper le tube de cuivre, chanfreinez son extrémité de sorte qu'elle ne risque pas d'endommager le joint torique à l'intérieur du bec. Faites glisser le bec sur le tube de cuivre de sorte qu'il s'appuie contre la surface finie de la baignoire ou du mur. Serrez la vis de calage (2), mais prenez garde de la serrer excessivement.



#### Installation à l'aide d'un tuyau de fer

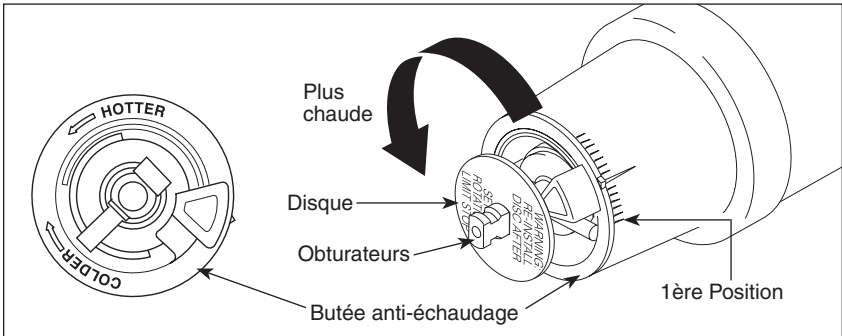
Installez le manchon fileté (1) 1/2 po (13 mm) de manière que sa saillie par rapport à la surface finie du mur. Appliquez du ruban de Téflon® sur les filets du manchon et fixez celui-ci au bec de baignoire en vissant.



#### Installation à l'aide d'un tuyau de cuivre brasé

Retirez le joint torique (1) de l'adaptateur (2). Braisez l'adaptateur au tube en prenant garde d'échapper du métal d'apport dans la rainure pour le joint torique. ATTENTION : IL NE DOIT PAS Y AVOIR DE MÉTAL D'APPORT SUR LA CIRCONFÉRENCE EXTÉRIEURE DE L'ADAPTATEUR PRÈS DE LA RAINURE POUR LE JOINT TORIQUE. Coupez le tube (3) et remettez le joint torique en place dans la rainure de l'adaptateur en laiton. Vissez le bec de baignoire sur l'adaptateur et prenant garde d'abîmer le joint torique. Serrez le bec à la main jusqu'à ce qu'il s'appuie solidement contre la surface finie de la paroi et qu'il n'y ait plus de jeu derrière le mur.

### Réglage de la butée anti-échaudage



#### IMPORTANT :

La butée antiéchaudage sert à limiter la quantité d'eau chaude disponible de sorte que l'utilisateur ne risque pas d'être ébouillanté si la manette est amenée à l'extrémité de la plage du côté « Eau chaude » par inadvertance alors que quelqu'un se trouve sous la douche ou dans la baignoire. La première position est celle qui laisse passer le MOINS d'eau chaude à mélanger avec l'eau froide. À la première position, l'eau est aussi froide que possible alors que la manette se trouve à l'extrémité de la plage du côté « Eau chaude ». En tournant la butée antiéchaudage, vous ajoutez progressivement de plus en plus d'eau chaude au mélange. La dernière position à gauche est celle qui laisse passer le plus d'eau chaude et le risque d'ébouillantage est plus élevé si quelqu'un amène la manette à l'extrémité de la plage du côté « Eau chaude » par inadvertance alors que quelqu'un d'autre se trouve sous la douche ou dans la baignoire.

**MISE EN GARDE : Dans certains cas, l'ébouillantage est possible si la butée antiéchaudage se trouve à la position la plus chaude (à l'extrémité de la plage dans le sens antihoraire). Il faut régler la butée antiéchaudage de manière que l'eau s'écoulant du robinet ne puisse causer de brûlures à l'utilisateur alors que la manette est à la position « Eau chaude ».**

• Selon la plupart des normes en vigueur dans l'industrie, la température de l'eau à la sortie du robinet ne doit pas dépasser 120 °F (certains codes de plomberie peuvent prescrire une température inférieure à cette valeur).

• La butée antiéchaudage peut devoir être réglée à chaque saison si la température de l'eau d'alimentation change. Par exemple, la température de l'eau froide est plus basse

en hiver qu'en été, ce qui peut entraîner une variation de la température à la sortie du robinet. La température idéale pour la douche ou le bain se situe généralement entre 90 °F - 110 °F.

• Faites couler l'eau de sorte qu'elle soit aussi froide que possible et aussi chaude que possible. Placez ensuite la manette sur la tige (reportez-vous à la page 6, étape 4D) et tournez la manette dans le sens antihoraire jusqu'à l'extrémité de la plage.

• Placez un thermomètre dans un gobelet en plastique et mettez celui-ci sous le jet d'eau. Si la température de l'eau est supérieure à 120°F, tournez la butée antiéchaudage dans le sens horaire pour abaisser la température de l'eau à la sortie du robinet sous 120°F ou à une valeur conforme aux exigences du code de plomberie de votre région.

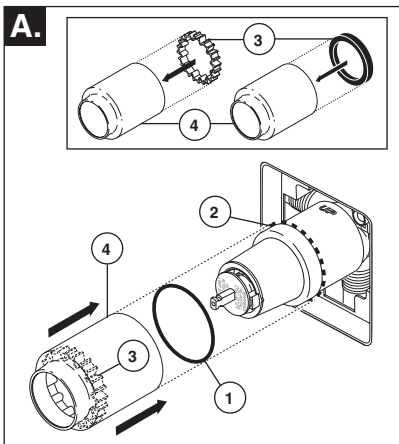
• Pour régler la température de l'eau qui s'écoule de la soupape, amenez le disque dans une position où il est possible d'enlever la butée de température et engagez les dents dans les encoches qui correspondent à la température désirée. La température diminue dans le sens horaire et augmente dans le sens antihoraire. La variation de température est de 4 à 16 °F par cran, selon la température de l'eau d'alimentation. Refaites le réglage au besoin. Remettez le disque jusqu'à ce qu'entièrement assis.

**MISE EN GARDE : Il y a risque d'ébouillantage si on omet de réinstaller le disque après avoir réglé la butée de température.**

• ASSUREZ-VOUS QUE L'EAU FROIDE S'ÉCOULE DE LA SOUPAPE EN PREMIER. ASSUREZ-VOUS QUE LA TEMPÉRATURE DE L'EAU NE PEUT DÉPASSER 120 °F OU LA VALEUR MAXIMALE AUTORISÉE PAR LE CODE DE PLOMBERIE DE VOTRE RÉGION.

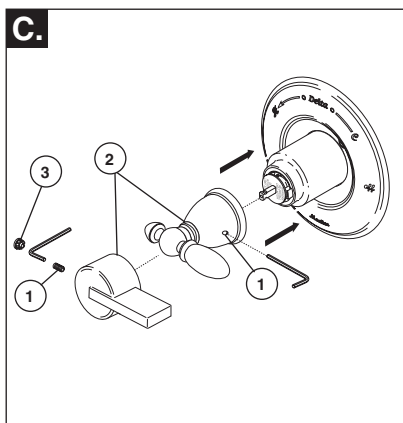
## 4

### Installation des pièces de finition

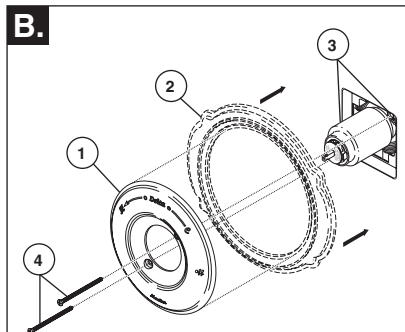


Faites glisser le joint torique (1) sur la cartouche et l'écrou à portée sphérique (2). Le joint sert de pièce d'espacement et il stabilise le manchon; il doit se trouver derrière l'écrou à portée sphérique.

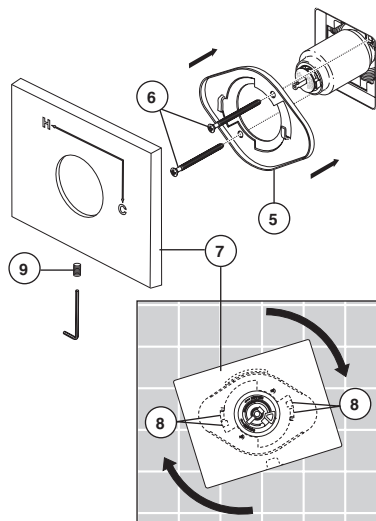
Si le modèle que vous installez nécessite une pièce d'espacement (3), introduisez-la dans le manchon (4) et poussez-la vers l'avant. Faites glisser le manchon sur la cartouche, le corps et le joint torique.



Montez la manette (2) sur la tige et bloquez-la en place en serrant la vis de calage (1) avec une clé Allen. Bouton Insérer le bouchon (3) (si votre modèle a un) dans le trou de la vis de réglage.



### Installation de la rosace pour les modèles T14053, T14253 et T14453.



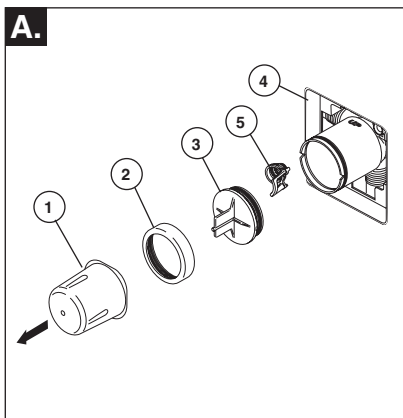
Fixez la rosace (1) et la plaque arrière (2) (si le modèle que vous installez en comporte une) sur le support (3) à l'aide des 2 vis fournies (4). Prenez garde de serrer les vis de la rosace excessivement.

**Pour les modèles T14053, T14253 et T14453:** Montez la fixation (5) sur le corps de la cartouche à l'aide des 2 vis fournies (6). Installez la plaque de finition (7) en la plaçant sur la fixation comme le montre la figure et tournez-la pour bloquer les pattes (8). Fixez la plaque de finition à la fixation à l'aide de la vis de calage (9).

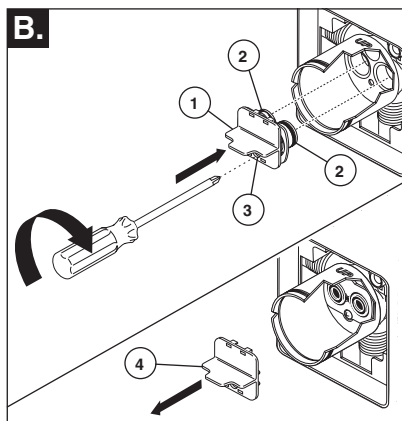
# Installation – Série 17

## 1

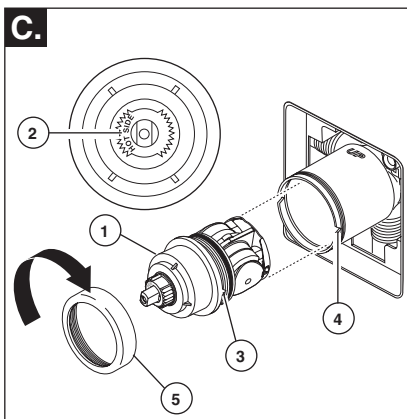
### Installation de la cartouche.



**Interrompez l'arrivée d'eau.** Enlevez le couvercle (1), l'écrou à portée sphérique (2) et le capuchon d'essai (3) du corps. Si vous n'installez pas l'appareil dans une paroi mince, vous pouvez retirer le protecteur (4) complètement. Si l'écran (5) est en place, enlevez avant d'installer la cartouche.

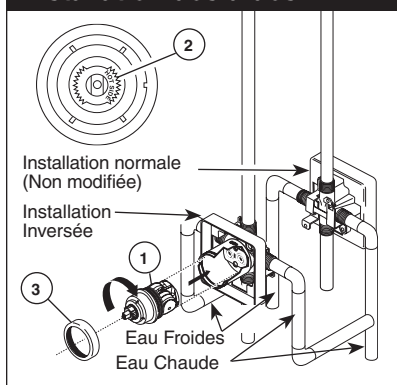


Introduisez l'adaptateur (1) dans le corps de la soupape. Assurez-vous que les joints toriques (2) sont positionnés correctement dans les trous à la base du corps. Fixez l'adaptateur avec la vis (3) se trouvant dans celui-ci. Retirez la pièce de retenue (4) de l'adaptateur.



Tournez la cartouche (1) de sorte que la mention « HOT SIDE » (2) se trouve du côté gauche. Introduisez la cartouche dans le corps de la soupape. Assurez-vous que l'ergot (3) sur la cartouche est parfaitement engagé dans la rainure du corps en laiton (4). Faites glisser l'écrou à portée sphérique (5) sur la cartouche et vissez-le sur le corps. Serrez à la main fermement.

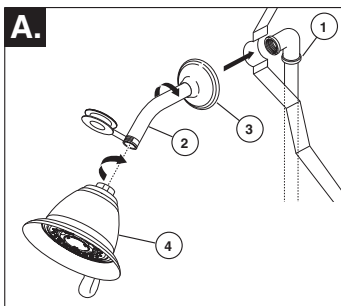
### Installation dos à dos



Dans le cas d'une installation dos à dos ou inversée (eau chaude à droite et eau froide à gauche) : Tournez la cartouche (1) de sorte que la mention « HOT SIDE » (2) se trouve du côté droit. Installez la cartouche en vous assurant que l'ergot est parfaitement engagé dans la rainure du corps en laiton. Faites glisser l'écrou à portée sphérique (3) sur la cartouche et vissez-le sur le corps. Serrez à la main fermement.

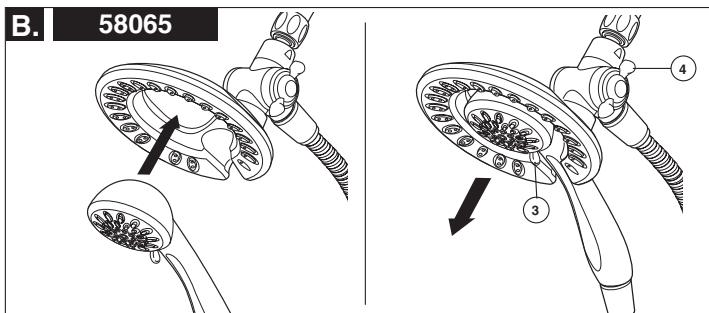
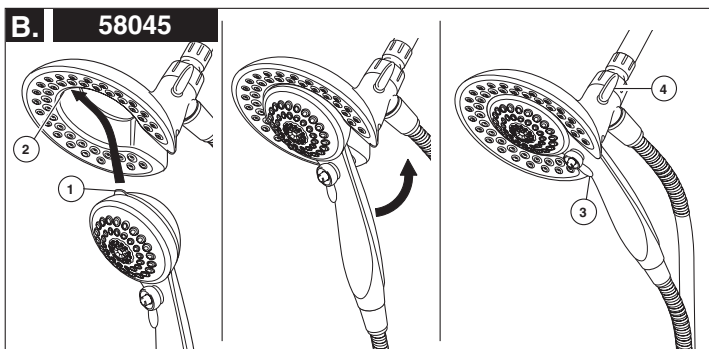
## 2

### Installation de la pomme de douche et du bec de baignoire



#### INSTALLATION DE LA POMME DE DOUCHE :

Raccordez la sortie supérieure (1) au tuyau d'alimentation de la pomme de douche (2) à l'aide des raccords appropriés. Pour éviter d'abîmer le fini du tuyau de la pomme de douche, introduisez le côté « mur » de celui-ci dans la collerette (3) avant de le visser dans le raccord du tuyau vertical. Appliquez du ruban de Teflon® sur les filets. Vissez la pomme de douche (4) sur le tuyau. Appliquez du ruban de Teflon® sur les filets. Prenez garde de serrer la pomme de douche excessivement.



**B. 58045:** Pour combiner les deux douches, introduisez la patte supérieure (1) de la douche à main dans la rainure (2) de la pomme de douche. Poussez la douche à main dans la pomme de douche jusqu'à ce que les deux éléments se bloquent ensemble et deviennent solidaires.

**58065:** Pour combiner les deux douches, poussez la douche à main dans la pomme de douche, tirez ensuite sur la douche à main pour la verrouiller avec la pomme de douche.

Si la pomme de douche bouge pendant que vous retirez la douche à main, serrez le raccord entre la pomme de douche et le bras de douche à la main.

Pour changer le mode de pulvérisation, tournez la manette (3) vers la gauche ou la droite selon le réglage désiré. Utilisez le bouton (4) pour sélectionner les modes douche seulement, douche et douche à main ou douche à main seulement.

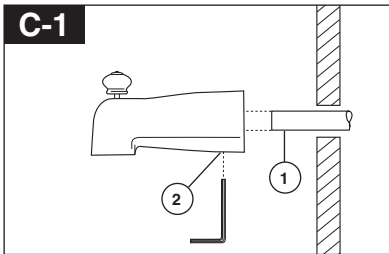
# Installation – Séries 13 et 14

## 2

### Showerhead and Tub Spout Installation

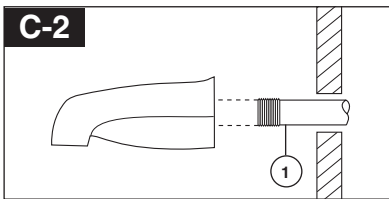
#### INSTALLATION DU BEC DE BAINOIRE :

Consultez les instructions d'installation fournies avec le bec. Ne raccordez pas à une soupape murale à un bec conçu pour être monté sur une plaque. Ne raccordez pas une douche à main à la sortie d'un robinet de baignoire-douche prévue pour un bec de baignoire. N'utilisez pas de tube PEX pour raccorder le bec.



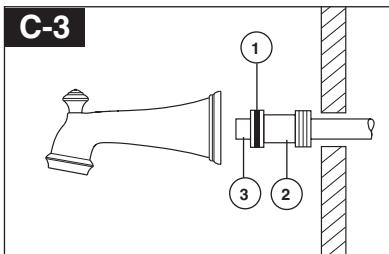
#### Installation d'un bec coulissant

Le tube de cuivre (1) doit avoir un diamètre nominal de 1/2 po. Important : Si vous devez couper le tube de cuivre, chanfreinez son extrémité de sorte qu'elle ne risque pas d'endommager le joint torique à l'intérieur du bec. Faites glisser le bec sur le tube de cuivre de sorte qu'il s'appuie contre la surface finie de la baignoire ou du mur. Serrez la vis de calage (2), mais prenez garde de la serrer excessivement.



#### Installation à l'aide d'un tuyau de fer

Installez le manchon fileté (1) 1/2 po (13 mm) de manière que sa saillie par rapport à la surface finie du mur. Appliquez du ruban de Téflon® sur les filets du manchon et fixez celui-ci au bec de baignoire en vissant.



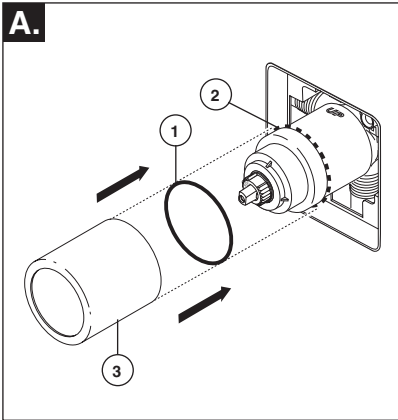
#### Installation à l'aide d'un tuyau de cuivre brasé

Retirez le joint torique (1) de l'adaptateur (2). Braisez l'adaptateur au tube en prenant garde d'échapper du métal d'apport dans la rainure pour le joint torique. ATTENTION : IL NE DOIT PAS Y AVOIR DE MÉTAL D'APPORT SUR LA CIRCONFÉRENCE EXTÉRIEURE DE L'ADAPTATEUR PRÈS DE LA RAINURE POUR LE JOINT TORIQUE. Coupez le tube (3) et remettez le joint torique en place dans la rainure de l'adaptateur en laiton. Vissez le bec de baignoire sur l'adaptateur et prenant garde d'abîmer le joint torique. Serrez le bec à la main jusqu'à ce qu'il s'appuie solidement contre la surface finie de la paroi et qu'il n'y ait plus de jeu derrière le mur.

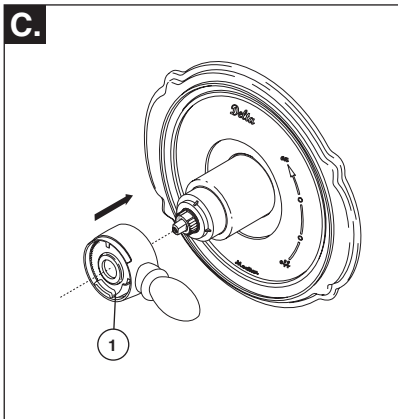


## 3

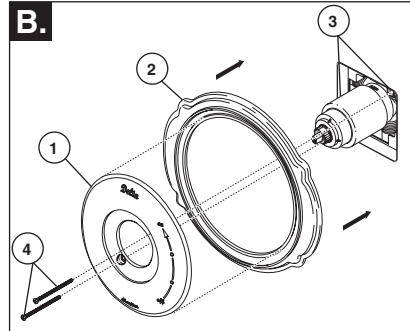
### Installation des pièces de finition



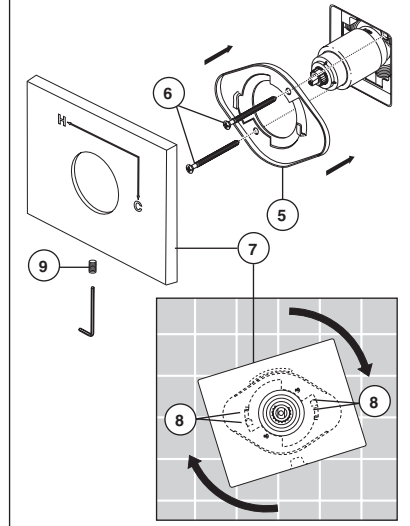
Faites glisser le joint torique (1) sur la cartouche et l'écrou à portée sphérique (2). Le joint sert de pièce d'espacement et il stabilise le manchon; il doit se trouver derrière l'écrou à portée sphérique. Faites glisser le manchon (3) sur la cartouche, le corps et le joint torique.



Installez la manette de réglage de débit (1) de manière qu'elle pointe vers la droite, puis placez-la en position d'ouverture. **NE LA FIXEZ PAS AVEC LA VIS.**



**Installation de la rosace pour les modèles T17053, T17253 et T17453.**



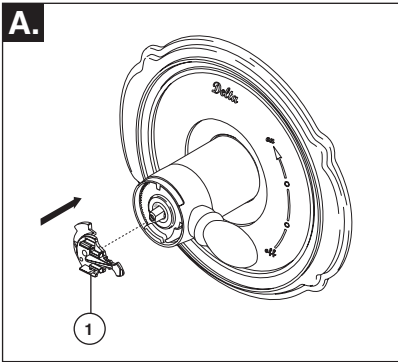
Fixez la rosace (1) et la plaque arrière (2) (si le modèle que vous installez en comporte une) sur le support (3) à l'aide des 2 vis fournies (4). Prenez garde de serrer les vis de la rosace excessivement.

**Pour les modèles T17053, T17253 et T17453:** Montez la fixation (5) sur le corps de la cartouche à l'aide des 2 vis fournies (6). Installez la plaque de finition (7) en la plaçant sur la fixation comme le montre la figure et tournez-la pour bloquer les pattes (8). Fixez la plaque de finition à la fixation à l'aide de la vis de calage (9).

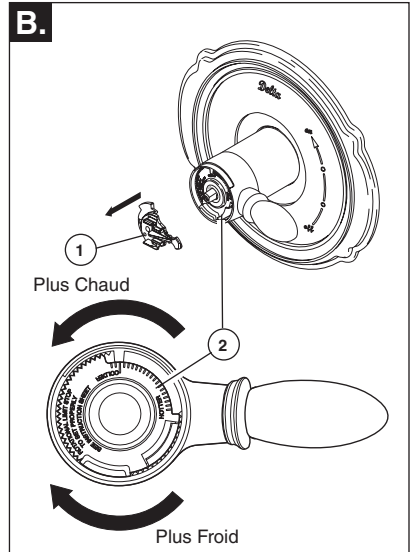
## Installation – Série 17

### 4

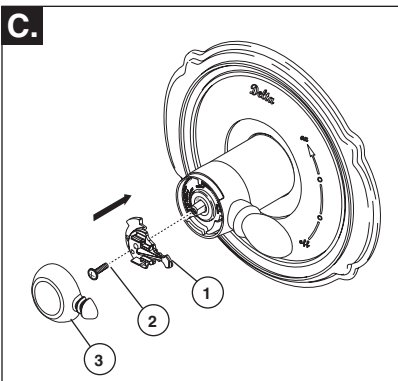
#### Installation et réglage de la butée anti-échaudage



Placez le bouton de réglage de température (1) sur la manette de débit et tournez-le jusqu'à la position de mélange (au besoin). NE LE FIXEZ PAS AVEC LA VIS. Rétablissez l'alimentation en eau. Laissez couler l'eau jusqu'à ce que l'eau froide soit aussi froide que possible et que l'eau chaude soit aussi chaude que possible. Mettez un thermomètre dans un gobelet en plastique, puis placez le gobelet sous le jet d'eau et attendez un peu. Notez la température de l'eau.



Si la température de l'eau sur le thermomètre est supérieure à 120 °F, retirez le bouton de réglage de température (1) et tournez la butée anti-échaudage (2) dans le sens horaire d'un cran par tranche de température d'environ 4 à 6 °F. Si l'eau n'est plus assez chaude, tournez la butée anti-échaudage dans le sens antihoraire.

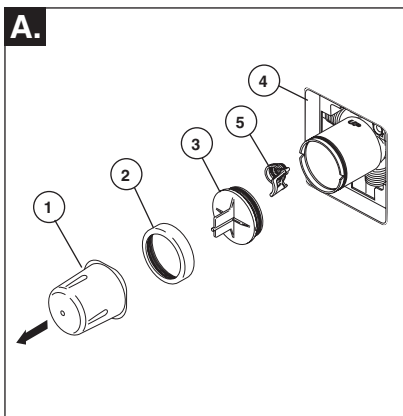


Fixez le bouton de réglage de température (1) avec la vis (2) et, en poussant fermement sur celui-ci, calez le couvercle (3) sur le bouton. NOTE : Serrez la vis jusqu'à ce que la manette cesse d'osciller. NE LA SERREZ PAS À FOND. Si vous la serrez excessivement, le bouton de réglage de température sera difficile à tourner. La vis est du type à autofreinage.

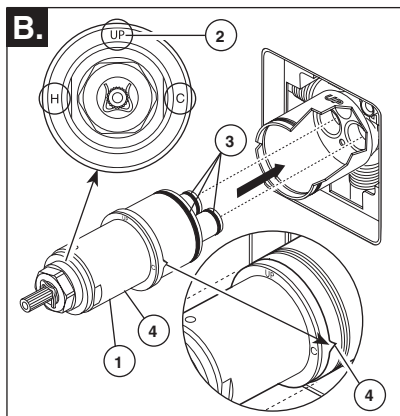
**IMPORTANT:** La première position de la butée anti-échaudage est celle qui limite le plus la rotation de la tige; elle se trouve à l'extrémité de la plage dans le sens horaire. Selon les normes de l'industrie, la température maximale de l'eau à la sortie de la soupape ne doit pas dépasser 120 °F. La température peut varier selon la région. Le réglage de la butée anti-échaudage peut être modifié si la température de l'eau d'alimentation a changé. À titre d'exemple, la température de l'eau froide est plus basse en hiver, ce qui influence la température de l'eau à la sortie de la soupape. La température idéale de l'eau pour un bain ou une douche se situe entre 90 et 110 °F.

# 1

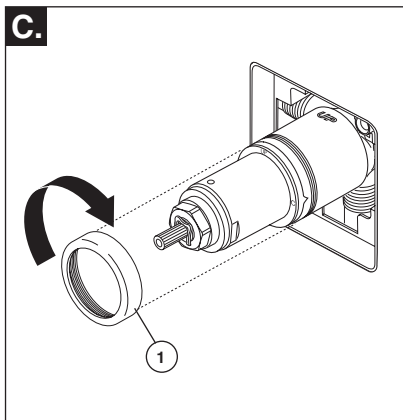
## Installation de la cartouche.



**Fermez les robinets d'arrêt.** Enlevez le couvercle (1), l'écrou-chapeau (2) et le capuchon d'essai (3) du corps. Placez un seau ou un petit contenant sur l'avant du corps de soupape et ouvrez lentement les robinets d'arrêt pour évacuer les corps étrangers de la tuyauterie avant d'installer la cartouche. Fermez de nouveau les robinets d'arrêt. Si le corps n'est pas monté dans un mur mince, vous pouvez enlever le protecteur (4) au complet. Si le filtre métallique (5) est en place, enlevez-le avant d'installer la cartouche.

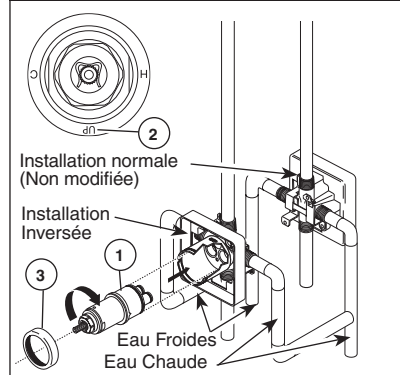


Tournez la cartouche (1) de sorte que le mot « UP » (2) se trouve sur le dessus. La lettre « H » doit se trouver du côté eau chaude et la lettre « C », du côté eau froide. Ajoutez du lubrifiant à base de silicone aux trois joints toriques (3) montrés ci-dessus pour faciliter la pose de la cartouche dans le corps de soupape et sa dépose. Introduisez la cartouche dans le corps de la soupape comme le montre la figure. Assurez-vous que les ergots sont parfaitement engagés dans les rainures du corps (4).



Faites glisser l'écrou à portée sphérique (1) sur la cartouche et vissez-le sur le corps. Serrez à la main fermement.

## Installation dos à dos



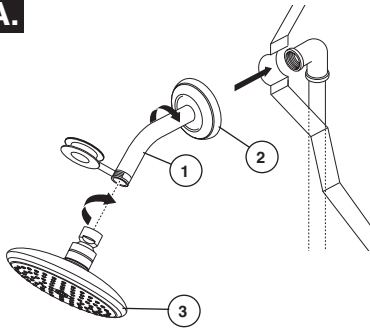
Dans le cas d'une installation dos à dos ou inversée (eau chaude à droite et eau froide à gauche) seulement : tournez la cartouche (1) de sorte que la lettre « H » se trouve du côté eau chaude, la lettre « C », du côté eau froide et le mot « UP » (2), sur le dessus. Ajoutez du lubrifiant à base de silicone aux trois joints toriques montrés ci-dessus pour faciliter la pose de la cartouche dans le corps de soupape et sa dépose. Installez la cartouche en prenant soin d'introduire les ergots entièrement dans les rainures du corps de laiton (reportez-vous à l'étape B). Glissez l'écrou-chapeau (3) sur la cartouche et vissez-le sur le corps. Serrez-le à la main solidement.

## Installation – Série 17T

# 2

### Installation de la pomme de douche et du bec de baignoire

#### A.



#### INSTALLATION DE LA POMME DE DOUCHE :

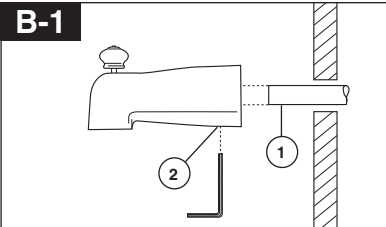
appliquez du ruban de Téflon® sur les filetages aux deux extrémités du bras de douche (1). Pour éviter d'endommager le fini du bras de douche, introduisez le côté mur de celui-ci dans la collerette de douche (2) avant de le visser dans le raccord du tuyau ascendant.

Vissez la pomme de douche (3) sur le bras de douche.

Évitez de serrer la pomme de douche excessivement.

**INSTALLATION DU BEC DE BAIGNOIRE :** Consultez les instructions d'installation fournies avec le bec. Ne raccordez pas à une soupape murale à un bec conçu pour être monté sur une plage. Ne raccordez pas une douche à main à la sortie d'un robinet de baignoire-douche prévue pour un bec de baignoire. N'utilisez pas de tube PEX pour raccorder le bec.

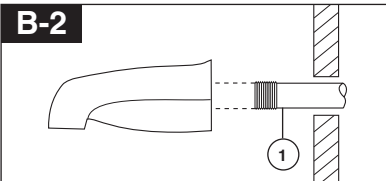
#### B-1



#### Installation d'un bec coulissant

Le tube de cuivre (1) doit avoir un diamètre nominal de 1/2 po. Important : Si vous devez couper le tube de cuivre, chanfreinez son extrémité de sorte qu'elle ne risque pas d'endommager le joint torique à l'intérieur du bec. Faites glisser le bec sur le tube de cuivre de sorte qu'il s'appuie contre la surface finie de la baignoire ou du mur. Serrez la vis de calage (2), mais prenez garde de la serrer excessivement.

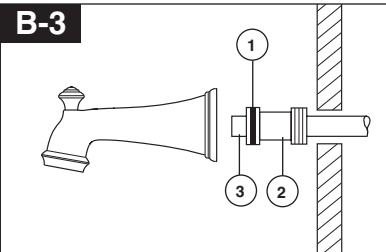
#### B-2



#### Installation à l'aide d'un tuyau de fer

Installez le manchon fileté (1) 1/2 po (13 mm) de manière que sa saillie par rapport à la surface finie du mur. Appliquez du ruban de Téflon® sur les filets du manchon et fixez celui-ci au bec de baignoire en vissant.

#### B-3



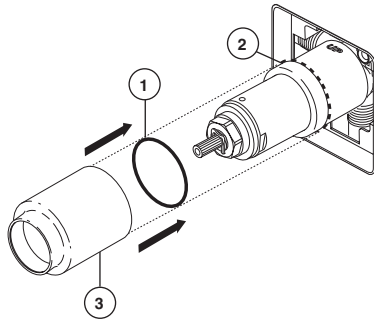
#### Installation à l'aide d'un tuyau de cuivre brasé

Retirez le joint torique (1) de l'adaptateur (2). Braisez l'adaptateur au tube en prenant garde d'échapper du métal d'apport dans la rainure pour le joint torique. ATTENTION : IL NE DOIT PAS Y AVOIR DE MÉTAL D'APPORT SUR LA CIRCONFÉRENCE EXTÉRIEURE DE L'ADAPTEUR PRÈS DE LA RAINURE POUR LE JOINT TORIQUE. Coupez le tube (3) et remettez le joint torique en place dans la rainure de l'adaptateur en laiton. Vissez le bec de baignoire sur l'adaptateur et prenant garde d'abîmer le joint torique. Serrez le bec à la main jusqu'à ce qu'il s'appuie solidement contre la surface finie de la paroi et qu'il n'y ait plus de jeu derrière le mur.

## 3

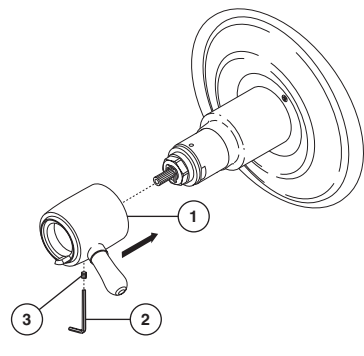
### Installation des pièces de finition

**A.**



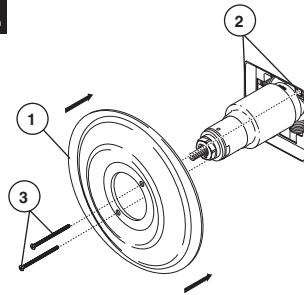
Faites glisser le joint torique (1) sur la cartouche et l'écrou à portée sphérique (2). Le joint sert de pièce d'espacement et il stabilise le manchon; il doit se trouver derrière l'écrou à portée sphérique. Faites glisser le manchon (3) sur la cartouche, le corps et le joint torique.

**C.**

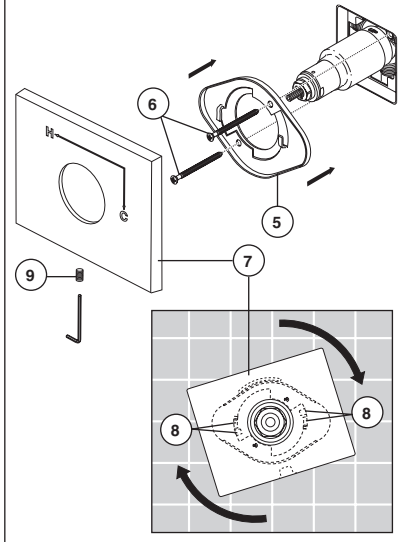


Installez la poignée de commande de volume (1) avec le levier vers la droite, utilisant une clé Allen (2) de fixer avec la vis de réglage (3).

**B.**



**Installation de la rosace pour les modèles T17T053, T17T253 et T17T453.**



Fixez la rosace (1) sur le support (2) à l'aide des 2 vis fournies (3). Prenez garde de serrer les vis de la rosace excessivement.

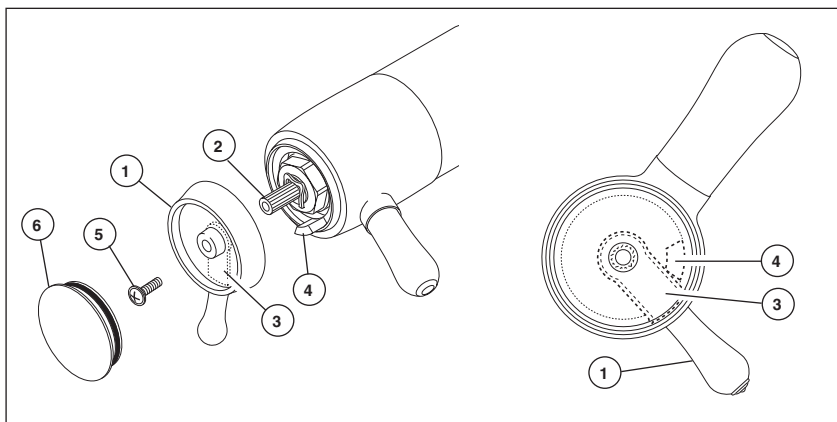
**Pour les modèles T17T053, T17T253 et T17T453:** Montez la fixation (5) sur le corps de la cartouche à l'aide des 2 vis fournies (6). Installez la plaque de finition (7) en la plaçant sur la fixation comme le montre la figure et tournez-la pour bloquer les pattes (8). Fixez la plaque de finition à la fixation à l'aide de la vis de calage (9).

## Installation – Série 17T

# 4

### Installation et réglage du bouton de température

Il y a risque de blessure si le bouton de température n'est pas réglé.



#### Réglez la butée limitatrice de température!

Rétablissez l'alimentation en eau. LAISSEZ COULER CHAUDE JUSQU'À CE QU'ELLE SOIT AUSSI CHAUDE QUE POSSIBLE ET FAITES DE MÊME POUR L'EAU FROIDE.

Placez un thermomètre dans un gobelet en plastique et tenez le gobelet sous le jet d'eau. Placez le bouton de température (1) sur les cannelures (2), tournez ensuite le bouton de température jusqu'à ce que vous atteigniez la température maximale désirée à la sortie (la température de l'eau

ne doit pas dépasser 120 degrés ou la valeur autorisée par les codes de plomberie de votre localité). Enlevez le bouton de température et replacez-le sur les cannelures (2) en vous assurant que la butée limitatrice de température (3) s'appuie contre la butée de la manette de débit (4) comme le montre la figure. Fixez le bouton de température à l'aide de la vis (5) et placez le capuchon (6) sur le bouton.

## Instructions de nettoyage

Il faut le nettoyer avec soin. Même si son fini est extrêmement durable, il peut être abîmé par des produits fortement abrasifs ou des produits de polissage. Il faut simplement le frotter doucement avec un chiffon humide et le sécher à l'aide d'un chiffon doux.

**AVERTISSEMENT: N'employez pas le nettoyant pour salle de bain Scrubbing Bubbles® ni le Nettoyant de Lavabos, de Baignoires et de Carreaux Lysol®** sur les manettes et les poignées sphériques transparentes. Ces produits peuvent faire fissurer les poignées et les manettes ou les abîmer gravement. Si ces poignées ou ces manettes sont aspergées accidentellement par l'un ou l'autre des produits mentionnés, les essuyer immédiatement à l'aide d'un chiffon de coton doux.

## Maintenance – Séries 13 et 14

### **Le robinet fuit par le bec ou la pomme de douche. COUPER L'EAU.**

Remplacer les sièges et les ressorts (kit de réparation RP4993. Vérifier l'état des joints toriques inférieurs et remplacer ceux-ci au besoin (RP14414). Voir les conseils 1, 2, et 3.

### **Si la fuite persiste, COUPER L'EAU.**

Remplacer la soupape RP46070 ou la cartouche RP46074. Voir les conseils 1, 2, 3 et 5.

### **La température de l'eau n'est pas constante.**

Remplacer le boîtier par un boîtier RP46071 ou suivre les instructions des conseils 1, 2, 4 et 5.

### **Conseils:**

1. Avant d'enlever la cartouche de la soupape aux fins d'entretien, prenez note de la position de la butée de température maximale sur le chapeau. La cartouche doit toujours être reposée dans la même position. **NE PAS PRENDRE DE RISQUES INUTILEMENT.** Une fois l'installation terminée, ouvrir le robinet pour s'assurer que L'EAU FROIDE S'ÉCOULE EN PREMIER.
2. Pour déposer la cartouche du corps, couper l'eau, puis retirer la poignée et le chapeau fileté. Ne pas utiliser un tournevis comme levier pour extraire la cartouche. Placer la poignée sur la tige et la tourner dans le sens antihoraire d'environ 1/4 de tour après

contact des butées. Soulever la cartouche pour la retirer du corps.

3. Pour déposer les sièges et les ressorts, enlever la cartouche. Séparer la soupape du boîtier en la tournant de 90° dans le sens antihoraire. Écarter ensuite la soupape du boîtier. Enlever les sièges et les ressorts, puis les déposer. Placer d'abord l'extrémité du ressort du plus grand diamètre dans le logement du siège, puis abaisser l'extrémité conique du siège sur le ressort. Remonter la cartouche et la déposer dans le corps conformément aux instructions figurant en "1" ci-dessus.
4. Si l'eau d'alimentation du robinet à équilibrage de pression renferme du calcaire, du fer, du sable ou d'autres corps étrangers, celui-ci doit faire l'objet d'inspections périodiques. La fréquence des inspections dépend de la quantité de corps étrangers dans l'eau. Pour inspecter la cartouche, la déposer et suivre les instructions de la note 1 ci-dessus. Ouvrir la soupape en position de plein mélange et secouer la cartouche vigoureusement. Si des cliquetis se font entendre, le composant est en bon état et peut être reposé conformément aux instructions de la note 1 ci-dessus. Si on n'entend pas de cliquetis, remplacer le boîtier (RP46071).
5. Remettez le disque jusqu'à ce qu'entièrement assis. Voir la page 5 pour plus de détails.

## Maintenance – Série 17T

### **Évitez de serrer la pomme de douche excessivement.**

Les conduites d'eau chaude et en eau froide doivent être toutes les deux sous pression. Si seulement un côté est sous pression, le débit d'eau à la sortie du système sera insuffisant.

**La pomme de douche fuit :** retirez la pomme de douche, puis ouvrez et fermez les robinets d'arrêt et vérifiez si la cartouche fuit ou si la pomme de douche se vide lentement (la pomme de douche peut avoir besoin d'un nettoyage si elle se vide lentement).

### **Si la fuite persiste - FERMEZ LES ROBINETS D'ARRÊT.**

Remplacez la cartouche - RP47201.

### **Incapacité de régler ou de maintenir la température de l'eau mitigée :**

**FERMEZ LES ROBINETS D'ARRÊT.** Retirez la manette, le manchon de finition et l'écrou-chapeau. Assurez-vous que la lettre « H » qui figure sur la cartouche est orientée vers l'entrée d'eau chaude et que la lettre « C » est orientée vers l'entrée d'eau froide du corps de soupape. La cartouche thermostatique ne fonctionnera pas si l'entrée d'eau chaude et l'entrée d'eau froide sont inversées.

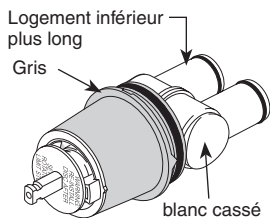
**Faible débit :** un faible débit peut être attribuable à des filtres métalliques obstrués à l'intérieur de la cartouche thermostatique.

1. FERMEZ LES ROBINETS D'ARRÊT.
2. Enlevez la manette.
3. Dévissez la partie hexagonale de la cartouche.
4. Nettoyez soigneusement les filtres métalliques en faisant couler de l'eau au travers pour évacuer les saletés. Si les saletés sont difficile à enlever, faites tremper les filtres métalliques toute la nuit dans une solution composée à part égales d'eau et de vinaigre.
5. Remontez la cartouche.
6. Remplacez la manette.
7. Ouvrez les robinets d'arrêt.
8. Remettez la butée de température maximale à sa position initiale avant d'utiliser la soupape.

# Fiche de référence sommaire de la cartouche

Unités expédiées en Mars 2006 et après.

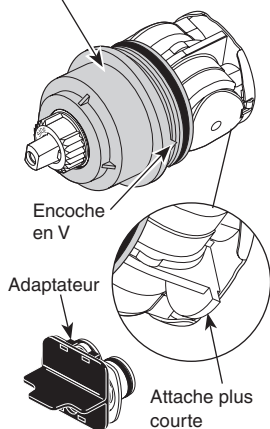
## MultiChoice® 13/14



Commandez le kit RP46074 pour remplacer la cartouche.

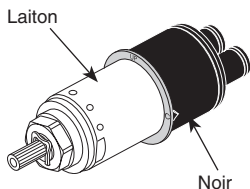
17

Capuchon supérieur gris



Commandez le kit RP46463 pour remplacer la cartouche.

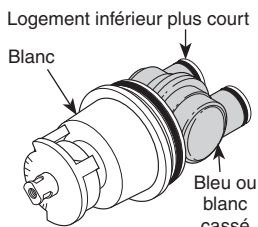
17T



Commandez le kit RP47201 pour remplacer la cartouche.

Unités expédiées avant Mars 2006.

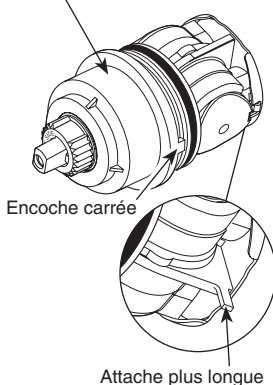
## Vieux Monitor® 1300/1400



Commandez le kit RP19804 pour remplacer la cartouche.

1700

Capuchon supérieur blanc

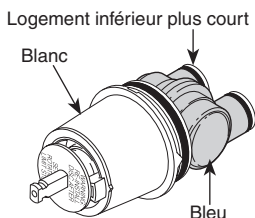


Commandez le kit RP32104 pour remplacer la cartouche.

**Sans  
Objet**  
Ne fera pas

Les cartouches de rechange se sont transportées en juillet 2006 et ensuite.

## Nouveau Monitor® 1300/1400



Commandez le kit RP19804 pour remplacer la cartouche.

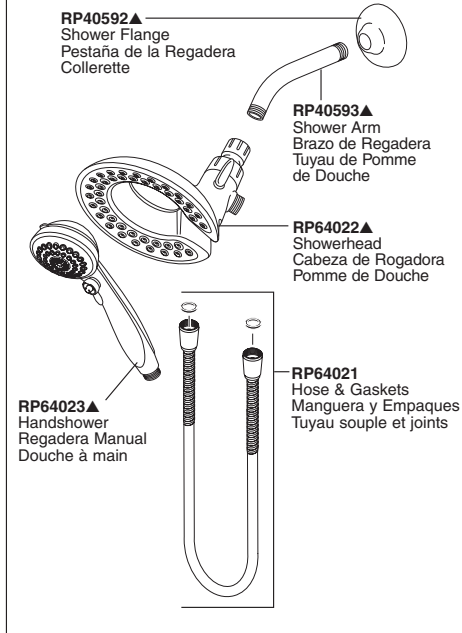
**Sans  
Objet**

**Sans  
Objet**

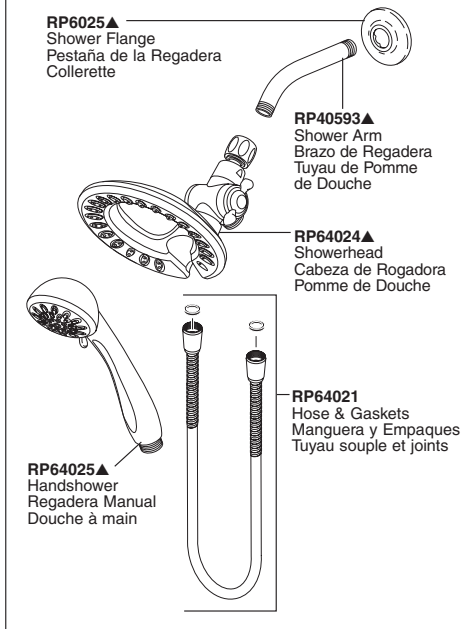


# 58045 & 58065 Models / Modelos / Modèles

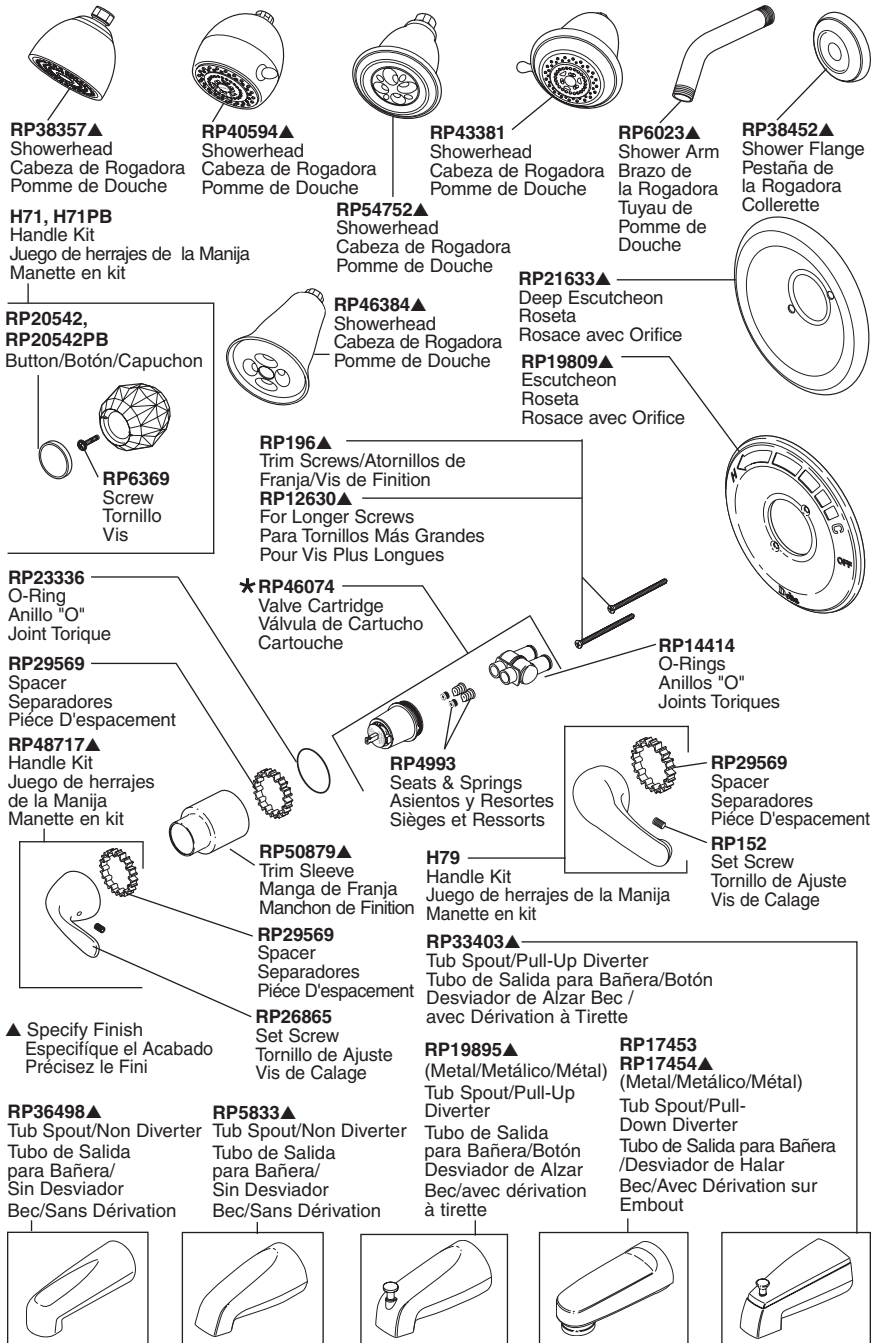
## 58045



## 58065



**T13020, T13022, T13120, T13122, T13220, T13220-H2O, T13222, T13420, T13420-H2O & T13422 Models / Modelos / Modèles**



▲ Specify Finish  
Especifique el Acabado  
Précisez le Fini

★ Refer to page 18 for more information. / Consultez con la página 18 para más información. /  
Pour obtenir de plus amples renseignements, reportez-vous à la page 18.

**T13090, T13091, T13290, T13291, T13490 & T13491**  
**Models / Modelos / Modèles**



**RP38357**  
 Showerhead  
 Cabeza de Rogadora  
 Pomme de Douche



**RP40594**  
 Showerhead  
 Cabeza de Rogadora  
 Pomme de Douche



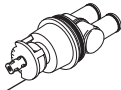
**RP43381**  
 Showerhead  
 Cabeza de Rogadora  
 Pomme de Douche



**RP6023**  
 Shower Arm  
 Brazo de la Rogadora  
 Tuyau de Pomme de Douche



**RP6025**  
 Shower Flange  
 Pestaña de la Rogadora  
 Collettere



**RP47312**  
 Ceramic Valve Cartridge  
 Válvula de Cartucho de Cerámica  
 Cartouche Céramique

**061050A**  
 Escutcheon  
 Roseta  
 Rosace avec Orifice

**RP196**  
 Trim Screws/Atornillos de Franja/Vis de Finition  
**RP12630**  
 For Longer Screws  
 Para Tornillos Más Grandes  
 Pour Vis Plus Longues

★ **RP46074**  
 13/14 Series Valve Cartridge  
 13/14 Series Válvula de Cartucho  
 13/14 Séries Cartouche

**RP23336**  
 O-Ring  
 Anillo "O"  
 Joint Torique

**RP50879**  
 Trim Sleeve  
 Manga de Franja  
 Manchon de Finition

**RP14414**  
 O-Rings  
 Anillos "O"  
 Joints Toriques

**RP4993**  
 Seats & Springs  
 Asientos y Resortes  
 Sièges et Ressorts

**RP36198**  
 Screw  
 Tornillo  
 Vis

**RP29569**  
 Spacer  
 Separadores  
 Pièce D'espacement

**RP33403▲**  
 Tub Spout/Pull-Up Diverter  
 Tubo de Salida para Bañera/  
 Botón Desviador de Alzar  
 Bec/avec dérivation à tirette

**RP5834**  
 (Non Metal/Sin Metálico/Sans Métal)  
 Tub Spout/Pull-Up Diverter  
 Tubo de Salida para Bañera/  
 Botón Desviador de Alzar  
 Bec/avec dérivation à tirette

**RP19895**  
 (Metal/ Metálico / Métal)  
 Tub Spout/Pull-Up Diverter  
 Tubo de Salida para Bañera/  
 Botón Desviador de Alzar  
 Bec/avec dérivation à tirette

**H78**  
 Handle Kit  
 Juego de herrajes de la Manija  
 Manette en kit

**H79**  
 Handle Kit  
 Juego de herrajes de la Manija  
 Manette en kit

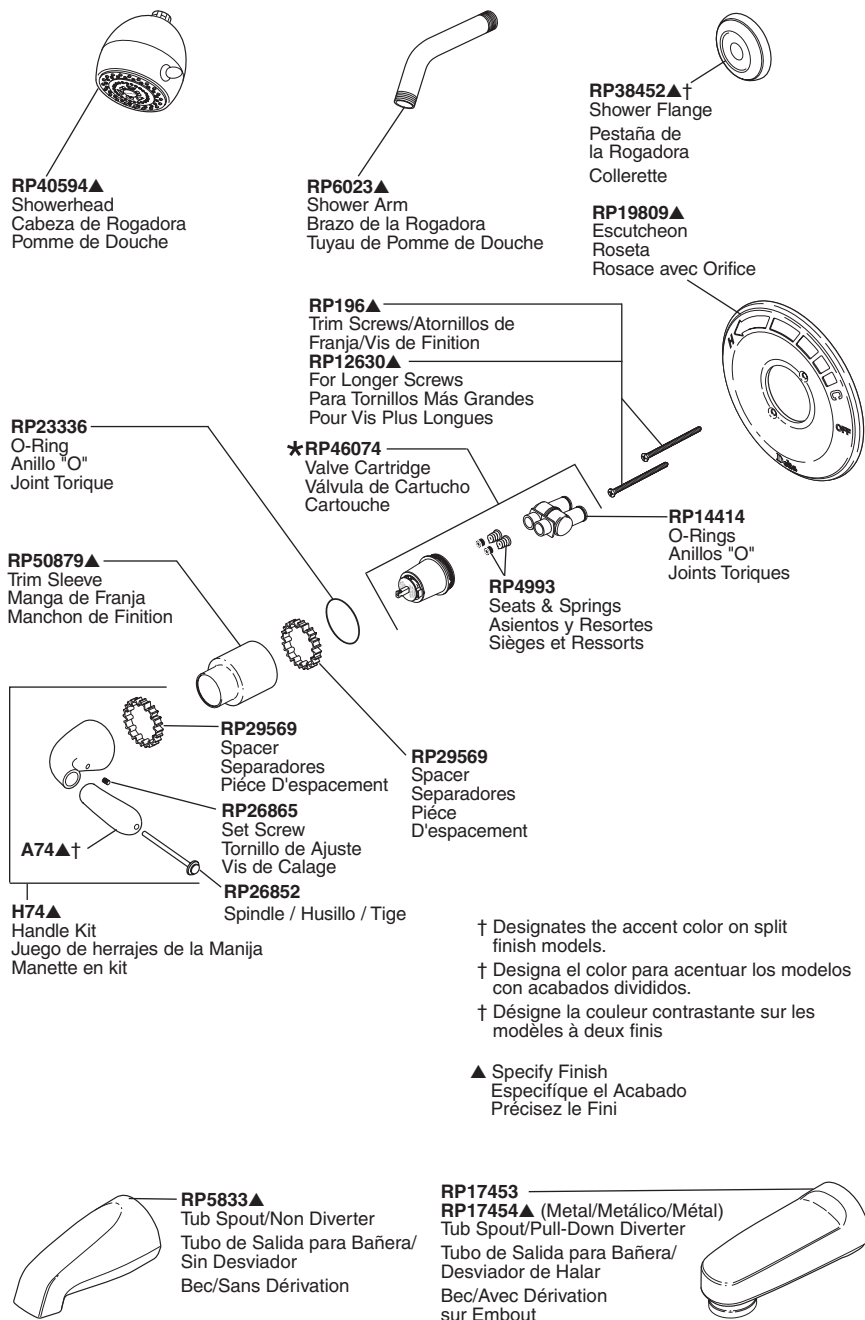
**RP29569**  
 Spacer  
 Separadores  
 Pièce D'espacement

**RP152**  
 Set Screw  
 Tornillo de Ajuste  
 Vis de Calage

**RP5833**  
 Tub Spout/Non Diverter  
 Tubo de Salida para Bañera/  
 Sin Desviador  
 Bec/Sans Dérivation

★ Refer to page 18 for more information. / Consultez con la página 18 para más información. / Pour obtenir de plus amples renseignements, reportez-vous à la page 18.

# T14130, T14230 & T14430 Models / Modelos / Modèles



† Designates the accent color on split finish models.  
† Designa el color para acentuar los modelos con acabados divididos.  
† Désigne la couleur contrastante sur les modèles à deux finis

▲ Specify Finish  
Especifique el Acabado  
Précisez le Fini

\* Refer to page 18 for more information. / Consulte con la página 18 para más información. / Pour obtenir de plus amples renseignements, reportez-vous à la page 18.

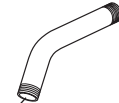
**T14038, T14238, T14238-H2O, T14438 & T14438-H2O**  
**Models / Modelos / Modèles**



**RP54752▲**  
 Showerhead  
 Cabeza de Rogadora  
 Pomme de Douche



**RP41589▲**  
 Showerhead  
 Cabeza de Rogadora  
 Pomme de Douche

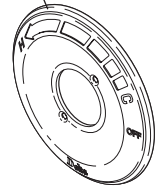


**RP6023▲**  
 Shower Arm  
 Brazo de la Rogadora  
 Tuyau de Pomme de Douche



**RP6025▲**  
 Shower Flange  
 Pestaña de la Rogadora  
 Colletette

**RP19809▲**  
 Escutcheon  
 Roseta  
 Rosace avec Orifice



▲ Specify Finish  
 Especificar el Acabado  
 Préciser le Fini

**RP196▲**  
 Trim Screws/Atornillos de  
 Franja/Vis de Finition

**RP12630▲**  
 For Longer Screws  
 Para Tornillos Más Grandes  
 Pour Vis Plus Longues

★ **RP46074**  
 Valve Cartridge  
 Válvula de Cartucho  
 Cartouche

**RP14414**  
 O-Rings  
 Anillos "O"  
 Joints Toriques

**RP23336**  
 O-Ring  
 Anillo "O"  
 Joint Torique

**RP29569**  
 Spacer  
 Separadores  
 Pièce D'espacement

**RP4993**  
 Seats & Springs  
 Asientos y Resortes  
 Sièges et Ressorts

**RP25620**  
 Set Screw  
 Tornillo de Ajuste  
 Vis de Calage

**RP50879▲**  
 Trim Sleeve  
 Manga de Franja  
 Manchon de Finition

**RP51304▲**  
 Handle Assembly  
 Ensamble de la Manija  
 Poignée

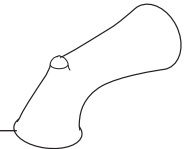
**RP26853**  
 Wrench  
 Llave  
 Clé



**RP51303▲**  
 Tub Spout/Pull-Up Diverter  
 Tubo de Salida para Bañera/  
 Botón Desviador de Alzar  
 Bec/avec dérivation à tirette

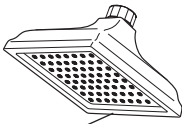


**RP53237▲**  
 Tub Spout/Non Diverter  
 Tubo de Salida para Bañera/Sin Desviador  
 Bec/Sans Dérivation

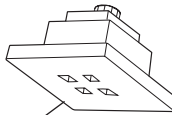


★ Refer to page 18 for more information. / Consulte con la página 18 para más información. /  
 Pour obtenir de plus amples renseignements, reportez-vous à la page 18.

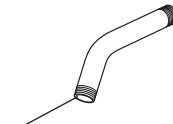
# T14051, T14251 & T14451 Models / Modelos / Modèles



**RP62283▲**  
Showerhead  
Cabeza de Rogadora  
Pomme de Douche



**RP51032▲**  
Showerhead  
Cabeza de Rogadora  
Pomme de Douche



**RP6023▲**  
Shower Arm  
Brazo de la Rogadora  
Tuyau de Pomme de Douche

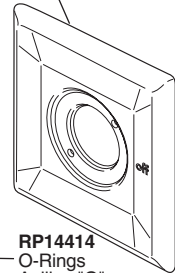


**RP52144▲**  
Shower Flange  
Pestaña de la Rogadora  
Collerette

**RP52586▲**  
Escutcheon  
Roseta  
Rosace avec Orifice

**RP196▲**  
Trim Screws/Atornillos de  
Franja/Vis de Finition

**RP12630▲**  
For Longer Screws  
Para Tornillos Más Grandes  
Pour Vis Plus Longues



**RP23336**  
O-Ring  
Anillo "O"  
Joint Torique

**RP29569**  
Spacer  
Separadores  
Pièce D'espacement

**\* RP46074**  
Valve Cartridge  
Válvula de Cartucho  
Cartouche

**RP14414**  
O-Rings  
Anillos "O"  
Joints Toriques

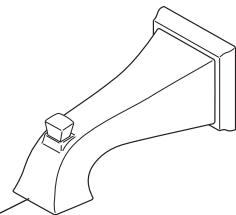
**RP4993**  
Seats & Springs  
Asientos y Resortes  
Sièges et Ressorts

**RP25620**  
Set Screw  
Tornillo de Ajuste  
Vis de Calage

**RP50879▲**  
Trim Sleeve  
Manga de Franja  
Manchon de Finition

**RP52587▲**  
Handle Assembly  
Ensamble de la Manija  
Poignée

**RP26853▲**  
Wrench  
Llave  
Clé

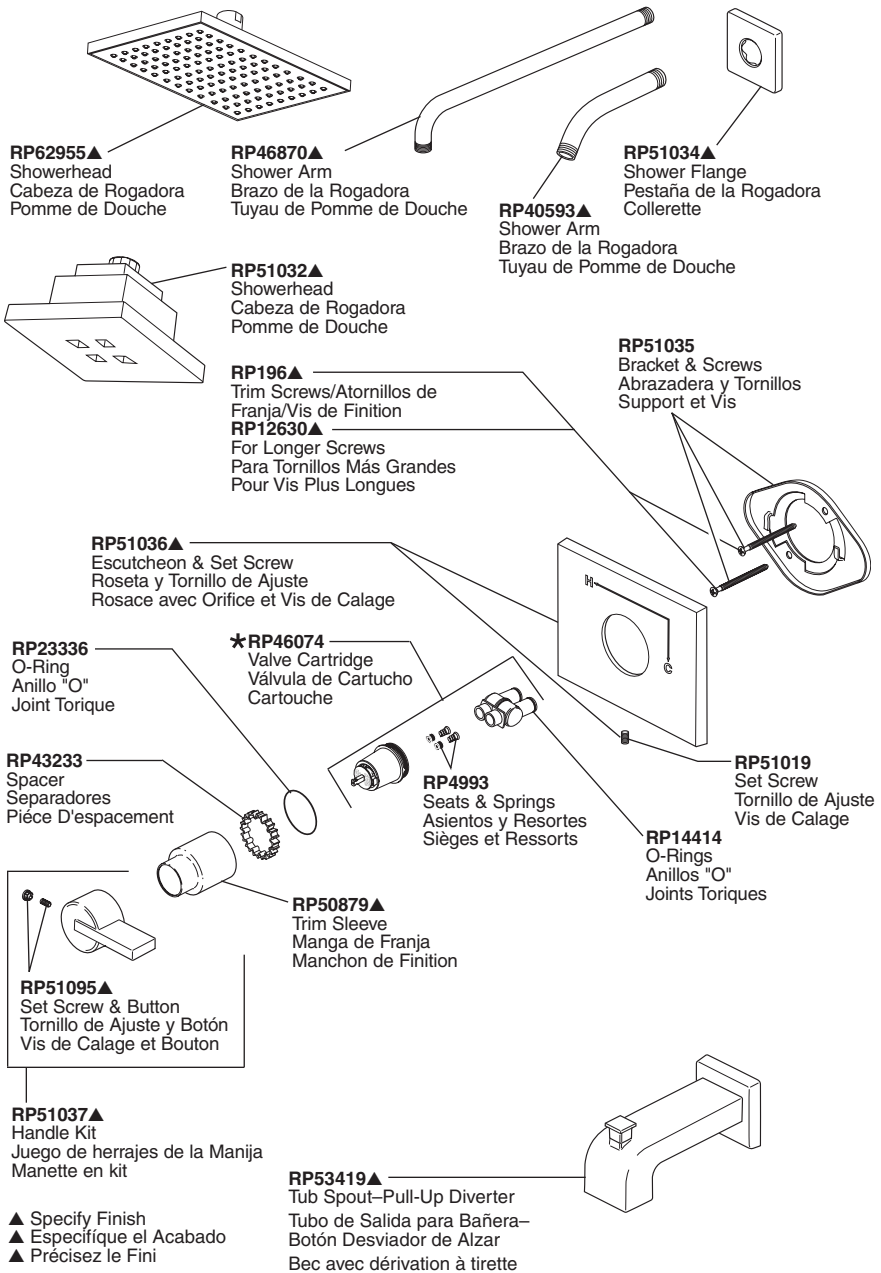


**RP52148▲**  
Tub Spout/Pull-Up Diverter  
Tubo de Salida para Bañera/  
Botón Desviador de Alzar  
Bec/avec dérivation à tirette

- ▲ Specify Finish
- ▲ Especificar el Acabado
- ▲ Précisez le Fini

\* Refer to page 18 for more information. / Consulte con la página 18 para más información. / Pour obtenir de plus amples renseignements, reportez-vous à la page 18.

# T14053, T14253, & T14453 Models / Modelos / Modèles



★ Refer to page 18 for more information. / Consultez con la página 18 para más información. / Pour obtenir de plus amples renseignements, reportez-vous à la page 18.

# T14140, T14240 & T14440 Models / Modelos / Modèles



**RP42578▲**  
Showerhead  
Cabeza de Rogadora  
Pomme de Douche



**RP6023▲**  
Shower Arm  
Brazo de la Rogadora  
Tuyau de Pomme de Douche



**RP38452▲**  
Shower Flange  
Pestaña de la Rogadora  
Collerette

▲ Specify Finish  
Especifíque el Acabado  
Précisez le Fini

† Designates the accent  
color on split finish models.

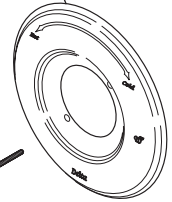
† Designa el color para  
acentuar los modelos  
con acabados divididos.

† Désigne la couleur  
contrastante sur les  
modèles à deux finis

**RP43232▲**  
Escutcheon  
Roseta  
Rosace avec Orifice

**RP196▲**  
Trim Screws/Atornillos de  
Franja/Vis de Finition

**RP12630▲**  
For Longer Screws  
Para Tornillos Más Grandes  
Pour Vis Plus Longues



**★RP46074**  
Valve Cartridge  
Válvula de Cartucho  
Cartouche

**RP14414**  
O-Rings  
Anillos "O"  
Joints Toriques

**RP43233**  
Spacer  
Separadores  
Pièce D'espacement

**RP50879▲†**  
Trim Sleeve  
Manga de Franja  
Manchon de Finition

**RP4993**  
Seats & Springs  
Asientos y Resortes  
Sièges et Ressorts

**RP23336**  
O-Ring  
Anillo "O"  
Joint Torique

**RP47191**  
Stem Extender  
Extensión para la espiga  
Rallonge de tige

**RP43233**  
Spacer  
Separadores  
Pièce  
D'espacement

**RP47948**  
Set Screw  
Tornillo de Ajuste  
Vis de Calage

**H740▲**  
Handle Kit  
Juego de herrajes de la Manija  
Manette en kit

**RP42574▲**  
Tub Spout/Non Diverter  
Tubo de Salida para Bañera/Sin Desviador  
Bec/Sans Dérivation

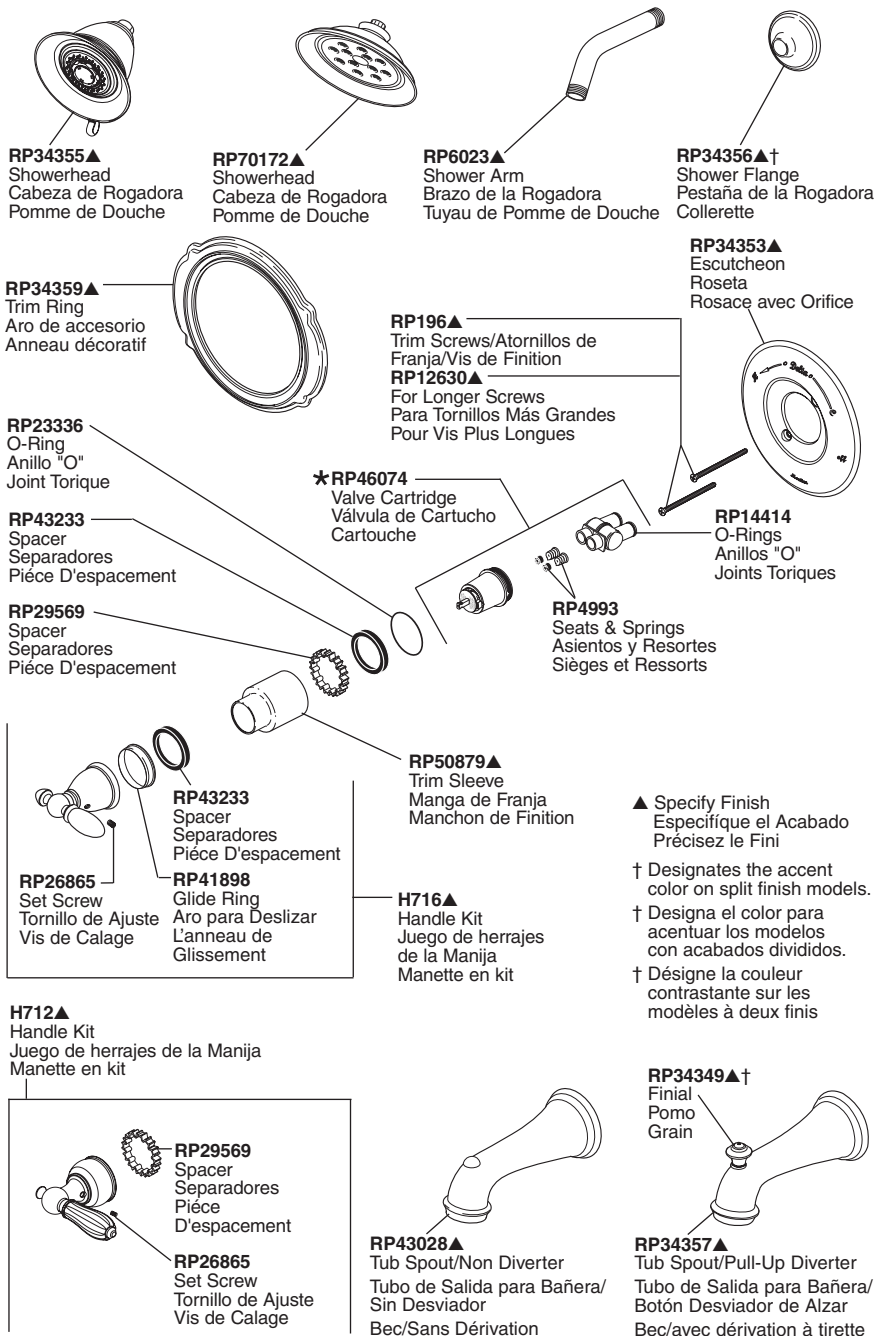
**RP42576▲**  
Tub Spout/Pull-Down Diverter  
Tubo de Salida para Bañera/Desviador de Halar  
Bec/Avec Dérivation sur Embout

★ Refer to page 18 for more information. / Consultez la página 18 para más información. /  
Pour obtenir de plus amples renseignements, reportez-vous à la page 18.



# T14155, T14255, T14255-H2OLHP, T14455 & T14455-H2OLHP

## Models / Modelos / Modèles



▲ Specify Finish  
Especifique el Acabado  
Précisez le Fini

† Designates the accent color on split finish models.

† Designa el color para acentuar los modelos con acabados divididos.

† Désigne la couleur contrastante sur les modèles à deux finis

★ Refer to page 18 for more information. / Consulte con la página 18 para más información. / Pour obtenir de plus amples renseignements, reportez-vous à la page 18.

# T14169, T14269 & T14469 Models / Modelos / Modèles



**RP43164▲**  
Showerhead  
Cabeza de Rogadora  
Pomme de Douche



**RP6023▲**  
Shower Arm  
Brazo de la Rogadora  
Tuyau de Pomme de Douche

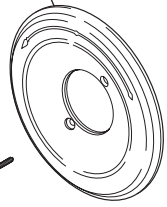


**RP6025▲**  
Shower Flange  
Pestaña de la Rogadora  
Collerette

▲ Specify Finish  
Especifique el Acabado  
Précisez le Fini

**RP196▲**  
Trim Screws/Atornillos de  
Franja/Vis de Finition  
**RP12630▲**  
For Longer Screws  
Para Tornillos Más Grandes  
Pour Vis Plus Longues

**RP43163▲**  
Escutcheon  
Roseta  
Rosace avec Orifice



**\*RP46074**  
Valve Cartridge  
Válvula de Cartucho  
Cartouche

**RP23336**  
O-Ring  
Anillo "O"  
Joint Torique

**RP29569**  
Spacer  
Separadores  
Pièce D'espacement

**RP4993**  
Seats & Springs  
Asientos y Resortes  
Sièges et Ressorts

**RP14414**  
O-Rings  
Anillos "O"  
Joints Toriques

**RP50879▲**  
Trim Sleeve  
Manga de Franja  
Manchon de Finition

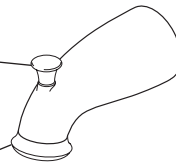
**H769▲**  
Handle Kit  
Juego de herrajes de la Manija  
Manette en kit



**RP29569**  
Spacer  
Separadores  
Pièce  
D'espacement

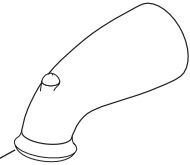
**RP26865**  
Set Screw  
Tornillo de Ajuste  
Vis de Calage

**RP43162▲**  
Finial  
Pomo  
Grain



**RP43161▲**  
Tub Spout/Pull-Up Diverter  
Tubo de Salida para Bañera/  
Botón Desviador de Alzar  
Bec/avec dérivation à tirette

**RP43165▲**  
Tub Spout/Non Diverter  
Tubo de Salida para Bañera/  
Sin Desviador  
Bec/Sans Dérivation



★ Refer to page 18 for more information. / Consulte con la página 18 para más información. / Pour obtenir de plus amples renseignements, reportez-vous à la page 18.

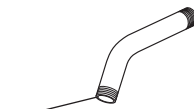
# T14178, T14278 & T14478 Models / Modelos / Modèles



**RP41589▲**  
Showerhead  
Cabeza de Rogadora  
Pomme de Douche



**RP54752▲**  
Showerhead  
Cabeza de Rogadora  
Pomme de Douche

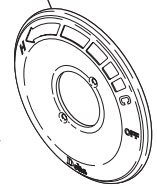


**RP6023▲**  
Shower Arm  
Brazo de la Rogadora  
Tuyau de Pomme de Douche



**RP38452▲**  
Shower Flange  
Pestaña de la Rogadora  
Collerette

**RP19809▲**  
Escutcheon  
Roseta  
Rosace avec Orifice



▲ Specify Finish  
Especifique el Acabado  
Précisez le Fini

**RP196▲**  
Trim Screws/Atornillos de  
Franja/Vis de Finition  
**RP12630▲**  
For Longer Screws  
Para Tornillos Más Grandes  
Pour Vis Plus Longues

★ **RP46074**  
Valve Cartridge  
Válvula de Cartucho  
Cartouche

**RP14414**  
O-Rings  
Anillos "O"  
Joints Toriques

**RP23336**  
O-Ring  
Anillo "O"  
Joint Torique

**RP29569**  
Spacer  
Separadores  
Pièce D'espacement

**RP4993**  
Seats & Springs  
Asientos y Resortes  
Sièges et Ressorts

**RP50879▲**  
Trim Sleeve  
Manga de Franja  
Manchon de Finition

**H777▲**  
Handle Kit  
Juego de herrajes de la Manija  
Manette en kit

**RP29569**  
Spacer  
Separadores  
Pièce  
D'espacement

**RP26865**  
Set Screw  
Tornillo de Ajuste  
Vis de Calage

**RP26853**  
Wrench  
Llave  
Clé

**H778▲**  
Handle Kit  
Juego de herrajes de la Manija  
Manette en kit

**RP29569**  
Spacer  
Separadores  
Pièce  
D'espacement

**RP26865**  
Set Screw  
Tornillo de Ajuste  
Vis de Calage

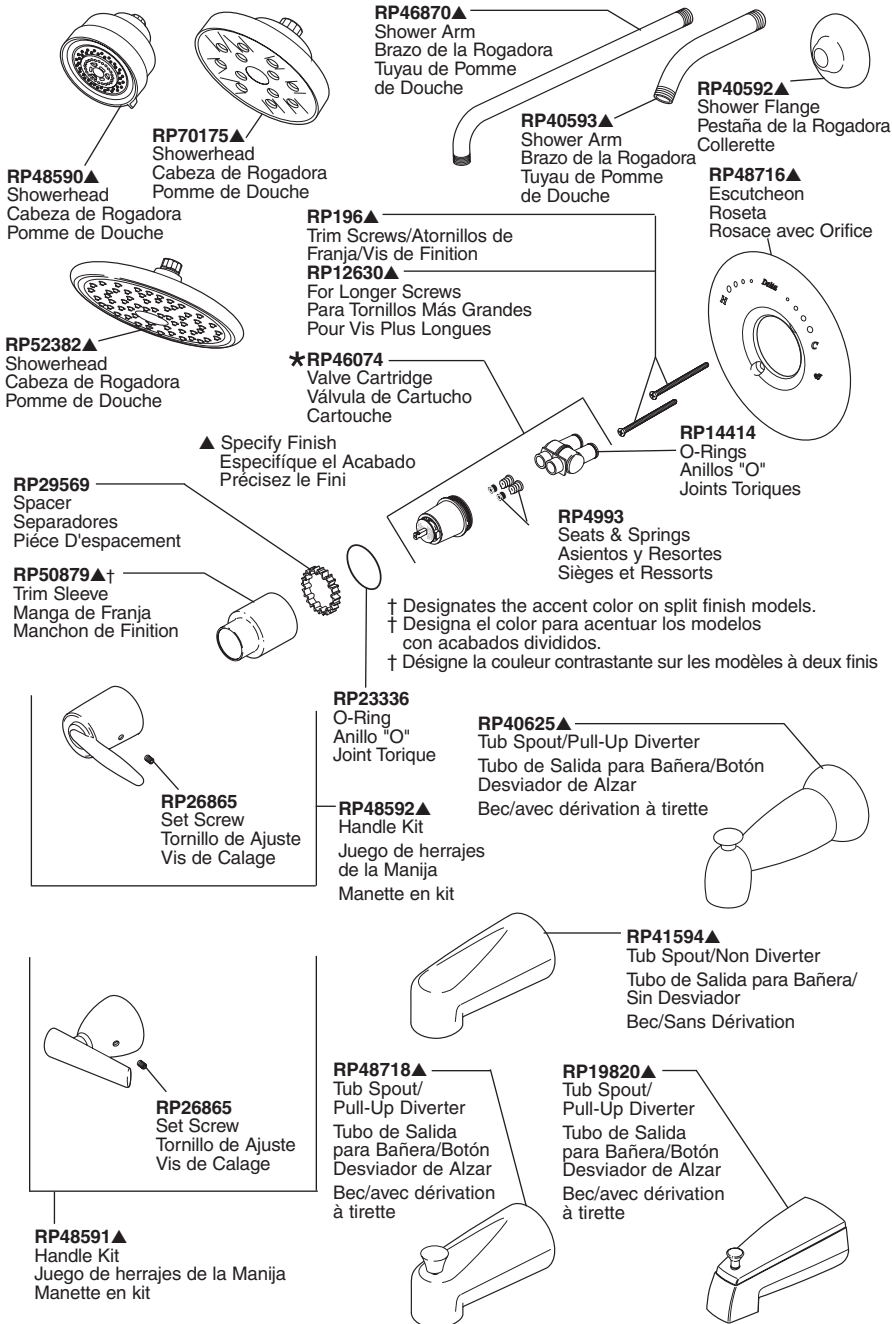
**RP26853**  
Wrench  
Llave  
Clé

**RP42915▲**  
Tub Spout/Pull-Up Diverter  
Tubo de Salida para Bañera/  
Botón Desviador de Alzar  
Bec/avec dérivation à tirette

**RP43165▲**  
Tub Spout/Non Diverter  
Tubo de Salida para Bañera/  
Sin Desviador  
Bec/Sans Dérivation

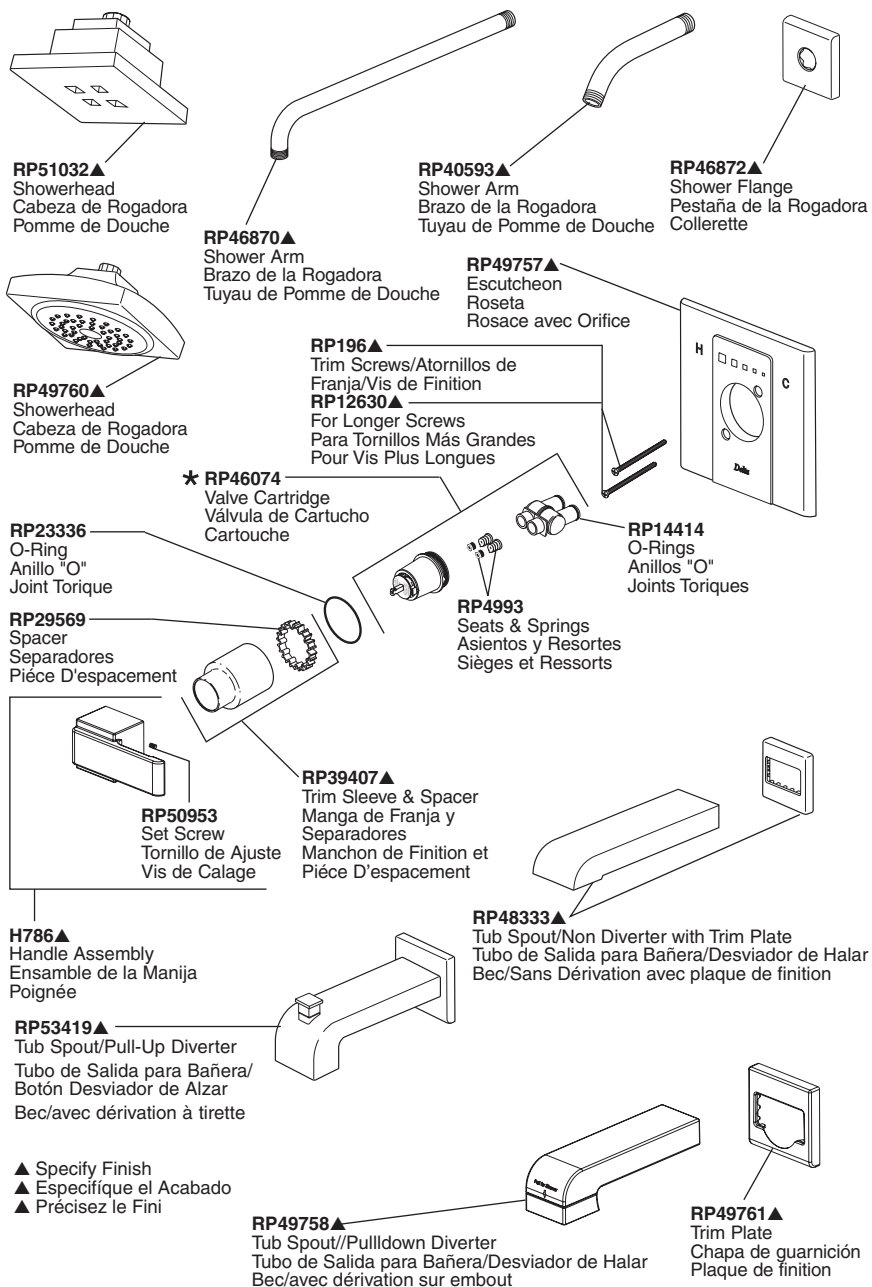
★ Refer to page 18 for more information. / Consultez con la página 18 para más información. /  
Pour obtenir de plus amples renseignements, reportez-vous à la page 18.

**T14082, T14085, T14185, T14282, T14285, T14285 - H2O, T14482, T14485 & T14485-H2O Models / Modelos / Modèles**



\* Refer to page 18 for more information. / Consultez con la página 18 para más información. / Pour obtenir de plus amples renseignements, reportez-vous à la page 18.

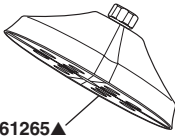
# T14086, T14186, T14286 & T14486 Models / Modelos / Modèles



- ▲ Specify Finish
- ▲ Específico el Acabado
- ▲ Précisez le Fini

\* Refer to page 18 for more information. / Consultez con la página 18 para más información. / Pour obtenir de plus amples renseignements, reportez-vous à la page 18.

# T14092, T14292 & T14492 Models / Modelos / Modèles



**RP61265▲**  
Showerhead  
Cabeza de Rogadora  
Pomme de Douche

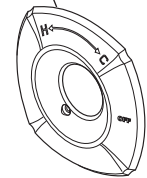


**RP6023▲**  
Shower Arm  
Brazo de la Rogadora  
Tuyau de Pomme de Douche



**RP61266▲**  
Shower Flange  
Pestaña de la Rogadora  
Collerette

**RP61267▲**  
Escutcheon  
Roseta  
Rosace avec Orifice



▲ Specify Finish  
Especifique el Acabado  
Précisez le Fini

**RP196▲**  
Trim Screws/Atornillos de  
Franja/Vis de Finition  
**RP12630▲**  
For Longer Screws  
Para Tornillos Más Grandes  
Pour Vis Plus Longues

★ **RP46074**  
Valve Cartridge  
Válvula de Cartucho  
Cartouche

**RP14414**  
O-Rings  
Anillos "O"  
Joints Toriques

**RP23336**  
O-Ring  
Anillo "O"  
Joint Torique

**RP29569**  
Spacer  
Separadores  
Pièce D'espacement

**RP4993**  
Seats & Springs  
Asientos y Resortes  
Sièges et Ressorts



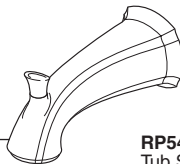
**RP25620**  
Set Screw  
Tornillo de Ajuste  
Vis de Calage

**RP50879▲**  
Trim Sleeve  
Manga de Franja  
Manchon de Finition

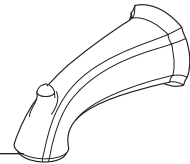
**RP61268▲**  
Handle Assembly  
Ensamble de la Manija  
Poignée

**RP26853**  
Wrench  
Llave  
Clé

**RP61269▲**  
Tub Spout/Pull-Up Diverter  
Tubo de Salida para Bañera/  
Botón Desviador de Alzar  
Bec/avec dérivation à tirette



**RP54863▲**  
Tub Spout/Non Diverter  
Tubo de Salida para Bañera/Sin Desviador  
Bec/Sans Dérivation

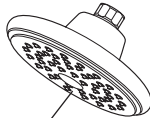


★ Refer to page 18 for more information. / Consulte con la página 18 para más información. /  
Pour obtenir de plus amples renseignements, reportez-vous à la page 18.

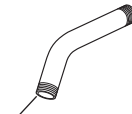
# T14094, T14294 & T14494 Models / Modelos / Modèles



**RP54752▲**  
Showerhead  
Cabeza de Rogadora  
Pomme de Douche



**RP51305▲**  
Showerhead  
Cabeza de Rogadora  
Pomme de Douche



**RP6023▲**  
Shower Arm  
Brazo de la Rogadora  
Tuyau de Pomme de Douche



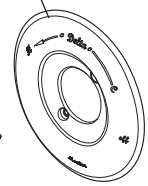
**RP6025▲**  
Shower Flange  
Pestaña de la Rogadora  
Collerette

▲ Specify Finish  
Especifique el Acabado  
Précisez le Fini

**RP196▲**  
Trim Screws/Atornillos de  
Franja/Vis de Finition

**RP12630▲**  
For Longer Screws  
Para Tornillos Más Grandes  
Pour Vis Plus Longues

**RP34353▲**  
Escutcheon  
Roseta  
Rosace avec Orifice



**★ RP46074**  
Valve Cartridge  
Válvula de Cartucho  
Cartouche

**RP23336**  
O-Ring  
Anillo "O"  
Joint Torique

**RP14414**  
O-Rings  
Anillos "O"  
Joints Toriques

**RP29569**  
Spacer  
Separadores  
Pièce D'espacement

**RP4993**  
Seats & Springs  
Asientos y Resortes  
Sièges et Ressorts

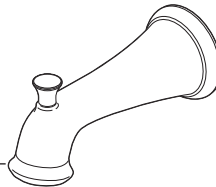
**RP25620**  
Set Screw  
Tornillo de Ajuste  
Vis de Calage

**RP????▲**  
Trim Sleeve  
Manga de Franja  
Manchon de Finition

**RP70639▲**  
Handle Assembly  
Ensamble de la Manija  
Poignée

**RP26853**  
Wrench  
Llave  
Clé

**RP52153▲**  
Tub Spout/Pull-Up Diverter  
Tubo de Salida para Bañera/  
Botón Desviador de Alzar  
Bec/avec dérivation à tirette



★ Refer to page 18 for more information. / Consultez con la página 18 para más información. /  
Pour obtenir de plus amples renseignements, reportez-vous à la page 18.

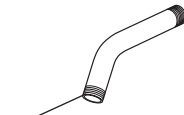
# T17030, T17130, T17230, T17230-H2O, T17430 & T17430-H2O Models / Modelos / Modèles



**RP70173▲**  
Showerhead  
Cabeza de Rogadora  
Pomme de Douche



**RP40594▲**  
Showerhead  
Cabeza de Rogadora  
Pomme de Douche



**RP6023▲**  
Shower Arm  
Brazo de la Rogadora  
Tuyau de Pomme de Douche



**RP6025▲†**  
Shower Flange  
Pestaña de la Rogadora  
Collerette

▲ Specify Finish  
Especifique el Acabado  
Précisez le Fini

† Designates the accent  
color on split finish models.

† Designa el color para  
acentuar los modelos  
con acabados divididos.

† Désigne la couleur  
contrastante sur les  
modèles à deux finis

**RP196▲**  
Trim Screws/Atornillos de  
Franja/Vis de Finition

**RP12630▲**  
For Longer Screws  
Para Tornillos Más Grandes  
Pour Vis Plus Longues

★ **RP46463**  
Cartridge Assembly  
Cartucho  
Cartouche

**RP23336**  
O-Ring  
Anillo "O"  
Joint Torique

**RP50880▲†**  
Trim Sleeve  
Manga de Franja  
Manchon de Finition

**RP28795▲**  
Escutcheon  
Roseta  
Rosace avec Orifice

**RP32105**  
Screw/Tornillo/Vis

**NOTE:** Do NOT  
overtighten screw.

**NOTA:** NO apriete  
demasiado el  
tornillo.

**NOTE :** NE serrez  
PAS trop la vis.

**RP32102**  
Rotational Limit Stop  
Tope para Limitar  
Butée Rotative

**RP28598**  
Decal (Red/Blue)  
Etiqueta (Rojo/Azul)  
Etiquette (Rouge/Bleu)

**RP5833▲** (Metal/Metálico/Métal)  
Tub Spout/Non Diverter  
Tubo de Salida para Bañera/  
Sin Desviador  
Bec/Sans Dérivation

**RP32103▲**  
Handle Assemby  
Ensamble de la Manija  
Poignée

**A74▲†**

**RP26852**  
Spindle  
Husillo  
Tige

**RP28595▲**  
Temperature Knob and Cover  
Perilla de la Temperatura y Cubierta  
Poignée de Réglage de Température

**RP17453**  
**RP17454▲** (Metal/Metálico/Métal)  
Tub Spout/Pull-Down Diverter  
Tubo de Salida para Bañera/  
Desviador de Halar  
Bec/Avec Dérivation sur Embout

★ Refer to page 18 for more information. / Consultez con la página 18 para más información. /  
Pour obtenir de plus amples renseignements, reportez-vous à la page 18.



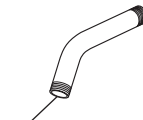
**T17038, T17238, T17238-H2O, T17438 & T17438-H2O**  
**Models / Modelos / Modèles**



**RP51305▲**  
 Showerhead  
 Cabeza de Rogadora  
 Pomme de Douche



**RP46384▲**  
 Showerhead  
 Cabeza de Rogadora  
 Pomme de Douche



**RP6023▲**  
 Shower Arm  
 Brazo de la Rogadora  
 Tuyau de Pomme de Douche

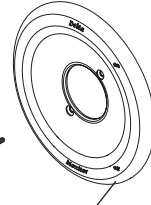


**RP6025▲**  
 Shower Flange  
 Pestaña de la Rogadora  
 Colerette

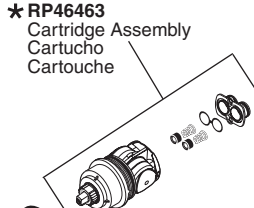


**RP70173▲**  
 Showerhead  
 Cabeza de Rogadora  
 Pomme de Douche

**RP196▲**  
 Trim Screws/Atornillos de Franja/Vis de Finition  
**RP12630▲**  
 For Longer Screws  
 Para Tornillos Más Grandes  
 Pour Vis Plus Longues



**RP28795▲**  
 Escutcheon  
 Roseta  
 Rosace avec Orifice



★ **RP46463**  
 Cartridge Assembly  
 Cartucho  
 Cartouche

**RP50880▲**  
 Trim Sleeve  
 Manga de Franja  
 Manchon de Finition

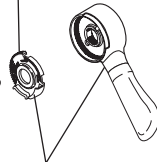


**RP23336**  
 O-Ring  
 Anillo "O"  
 Joint Torique

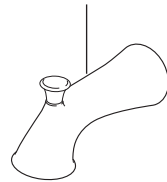
▲ Specify Finish  
 Especifica el Acabado  
 Précisez le Fini

**RP32105**  
 Screw/Tornillo/Vis  
**NOTE:** Do NOT overtighten screw.  
**NOTA:** NO apriete demasiado el tornillo.  
**NOTE:** NE serrez PAS trop la vis.

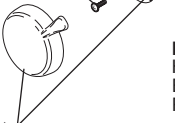
**RP32102**  
 Rotational Limit Stop  
 Tope para Limitar  
 Butée Rotative



**RP51303▲**  
 Tub Spout/Pull-Up Diverter  
 Tubo de Salida para Bañera/  
 Botón Desviador de Alzar  
 Bec/avec dérivation à tirette



**RP51306▲**  
 Handle Assembly  
 Ensemble de la Manija  
 Poignée



**RP51307▲**  
 Temperature Knob and Cover  
 Perilla de la Temperatura y Cubierta  
 Poignée de Réglage de Température

★ Refer to page 16 for more information. / Consulte con la página 16 para más información. / Pour obtenir de plus amples renseignements, reportez-vous à la page 16.

# T17140, T17240 & T17440 Models / Modelos / Modèles



**RP42578▲**  
Showerhead  
Cabeza de Rogadora  
Pomme de Douche



**RP6023▲**  
Shower Arm  
Brazo de la Rogadora  
Tuyau de Pomme de Douche



**RP38452▲**  
Shower Flange  
Pestaña de la Rogadora  
Collerette

▲ Specify Finish  
Especifique el Acabado  
Précisez le Fini

**RP196▲**  
Trim Screws/Atornillos de  
Franja/Vis de Finition

**RP12630▲**  
For Longer Screws  
Para Tornillos Más Grandes  
Pour Vis Plus Longues

★ **RP46463**  
Cartridge Assembly  
Cartucho  
Cartouche

**RP50880▲**  
Trim Sleeve  
Manga de Franja  
Manchon de Finition

**RP42573▲**  
Escutcheon  
Roseta  
Rosace avec Orifice

**RP40590▲**  
Trim Ring  
Aro de accesorio  
Anneau décoratif

**RP23336**  
O-Ring  
Anillo "O"  
Joint Torique

**RP32105**  
Screw/Tornillo/Vis

**NOTE:** Do NOT  
overtighten screw.

**NOTA:** NO apriete  
demasiado el  
tornillo.

**NOTE :** NE serrez  
PAS trop la vis.

**RP32102**  
Rotational Limit Stop  
Tope para Limitar  
Butée Rotative

**RP28598**  
Decal (Red/Blue)  
Etiqueta (Rojo/Azul)  
Etiquette (Rouge/Bleu)

**RP42575▲**  
Handle Assembly  
Ensamble de la Manija  
Poignée

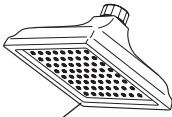
**RP42574▲**  
Tub Spout/Non Diverter  
Tubo de Salida para Bañera/  
Sin Desviador  
Bec/Sans Dérivation

**RP42572▲**  
Temperature Knob and Cover  
Perilla de la Temperatura y Cubierta  
Poignée de Réglage de Température

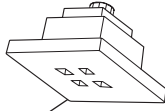
**RP42576▲**  
Tub Spout/Pull-Down Diverter  
Tubo de Salida para Bañera/  
Desviador de Halar  
Bec/Avec Dérivation sur Embout

★ Refer to page 18 for more information. / Consulte con la página 18 para más información. /  
Pour obtenir de plus amples renseignements, reportez-vous à la page 18.

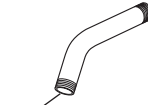
# T17051, T17251, & T17451 Models / Modelos / Modèles



**RP62283▲**  
Showerhead  
Cabeza de Rogadora  
Pomme de Douche



**RP51032▲**  
Showerhead  
Cabeza de Rogadora  
Pomme de Douche



**RP6023▲**  
Shower Arm  
Brazo de la Rogadora  
Tuyau de Pomme de Douche



**RP52144▲**  
Shower Flange  
Pestaña de la Rogadora  
Collerette

**RP196▲**  
Trim Screws/Atornillos de  
Franja/Vis de Finition  
**RP12630▲**  
For Longer Screws  
Para Tornillos Más Grandes  
Pour Vis Plus Longues

**\* RP46463**  
Cartridge Assembly  
Cartucho  
Cartouche

**RP37731▲**  
Trim Sleeve  
Manga de Franja  
Manchon de Finition

**RP52588▲**  
Escutcheon  
Roseta  
Rosace avec Orifice

**RP23336**  
O-Ring  
Anillo "O"  
Joint Torique

**RP52148▲**  
Tub Spout-Pull-Up Diverter  
Tubo de Salida para Bañera-  
Botón Desviador de Alzar  
Bec avec dérivation à tirette

**RP32105**  
Screw/Tornillo/Vis  
**NOTE:** Do NOT  
overtighten screw.  
**NOTA:** NO apriete  
demasiado el  
tornillo.  
**NOTE :** NE serrez  
PAS trop la vis.

**RP32102**  
Rotational Limit Stop  
Tope para Limitar  
Butée Rotative

**RP28598**  
Decal (Red/Blue)  
Etiqueta (Rojo/Azul)  
Etiquette (Rouge/Bleu)

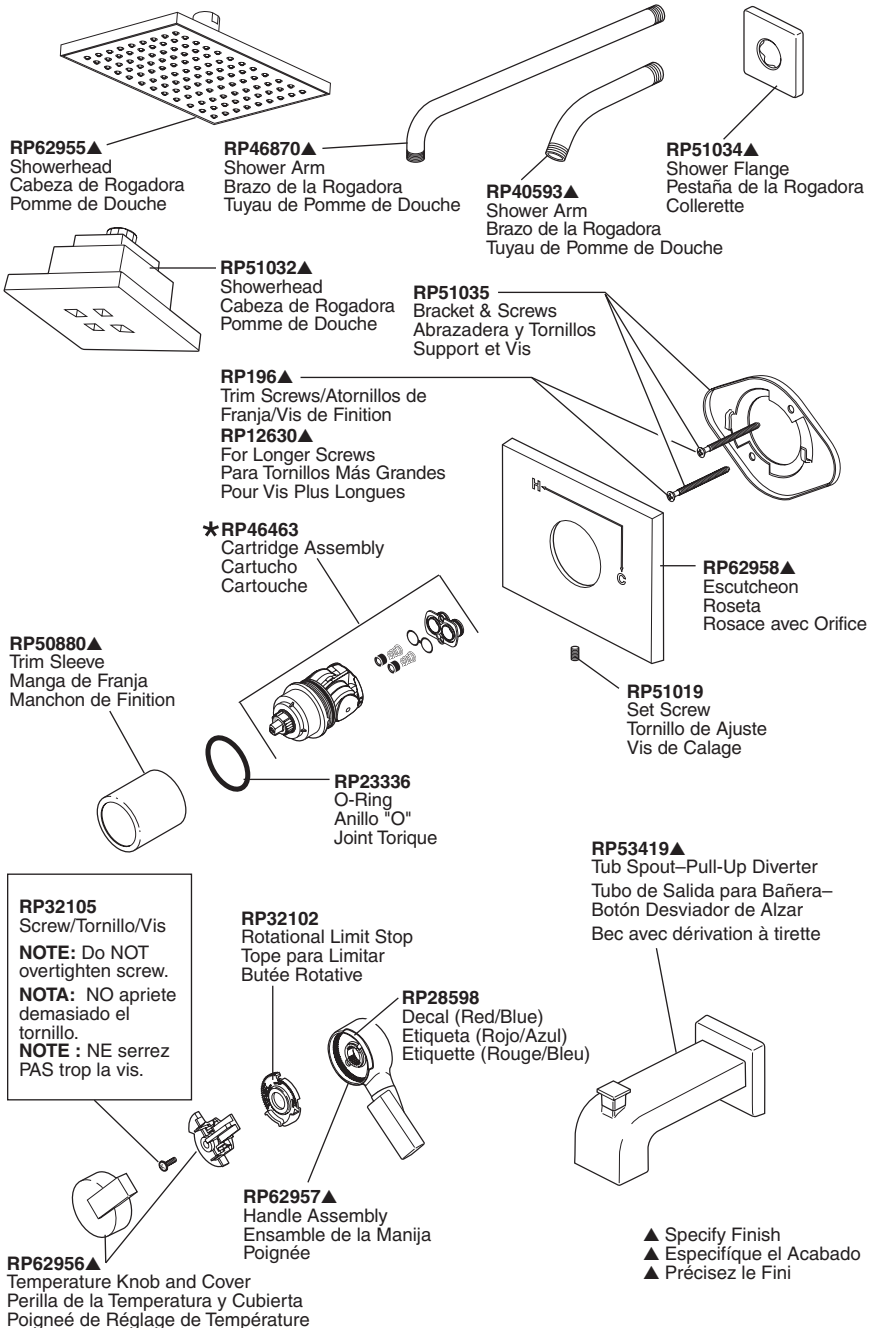
**RP52146▲**  
Handle Assembly  
Ensamble de la Manija  
Poignée

**RP52147▲**  
Temperature Knob and Cover  
Perilla de la Temperatura y Cubierta  
Poignée de Réglage de Température

▲ Specify Finish  
▲ Especifico el Acabado  
▲ Précisez le Fini

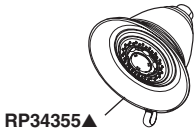
\*Refer to page 18 for more information. / Consulte con la página 18 para más información. /  
Pour obtenir de plus amples renseignements, reportez-vous à la page 18.

# T17053, T17253 & T17453 Models / Modelos / Modèles

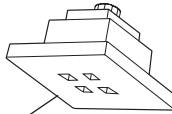


★Refer to page 18 for more information. / Consulte con la página 18 para más información. /  
Pour obtenir de plus amples renseignements, reportez-vous à la page 18.

**T17155, T17255, T17255-H2O, T17455 & T17455-H2O**  
**Models / Modelos / Modèles**



**RP34355▲**  
 Showerhead  
 Cabeza de Rogadora  
 Pomme de Douche



**RP51032▲**  
 Showerhead  
 Cabeza de Rogadora  
 Pomme de Douche



**RP6023▲**  
 Shower Arm  
 Brazo de la Rogadora  
 Tuyau de Pomme de Douche



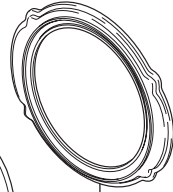
**RP34356▲†**  
 Shower Flange  
 Pestaña de la Rogadora  
 Collettere



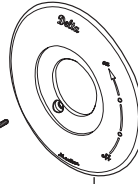
**RP70172▲**  
 Showerhead  
 Cabeza de Rogadora  
 Pomme de Douche

**RP196▲**  
 Trim Screws/Atornillos de Franja/Vis de Finition  
**RP12630▲**  
 For Longer Screws  
 Para Tornillos Más Grandes  
 Pour Vis Plus Longues

**\* RP46463**  
 Cartridge Assembly  
 Cartucho  
 Cartouche

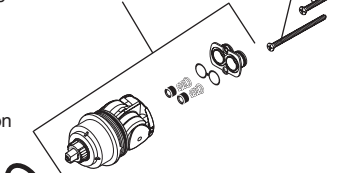


**RP34359▲**  
 Trim Ring  
 Aro de accesorio  
 Anneau décoratif



**RP34354▲**  
 Escutcheon  
 Roseta  
 Rosace avec Orifice

**RP50880▲†**  
 Trim Sleeve  
 Manga de Franja  
 Manchon de Finition



▲ Specify Finish  
 Especifique el Acabado  
 Précisez le Fini

† Designates the accent color on split finish models.

† Designa el color para acentuar los modelos con acabados divididos.

† Désigne la couleur contrastante sur les modèles à deux finis

**RP23336**  
 O-Ring  
 Anillo "O"  
 Joint Torque

**RP32105**  
 Screw/Tornillo/Vis

**NOTE:** Do NOT overtighten screw.  
**NOTA:** NO apriete demasiado el tornillo.  
**NOTE :** NE serrez PAS trop la vis.

**RP32102**  
 Rotational Limit Stop  
 Tope para Limitar  
 Butée Rotative

**RP28598**  
 Decal (Red/Blue)  
 Etiqueta (Rojo/Azul)  
 Etiquette (Rouge/Bleu)

**RP43028▲**  
 Tub Spout/Non Diverter  
 Tubo de Salida para Bañera/  
 Sin Desviador  
 Bec/Sans Dérivation



**RP34358▲**  
 Temperature Knob and Cover  
 Perilla de la Temperatura y Cubierta  
 Poignée de Réglage de Température

**RP32103▲**  
 Handle Assembly  
 Ensemble de la Manija  
 Poignée



**RP26852**  
 Spindle  
 Husillo  
 Tige

**A716▲**  
 Victorian Accent

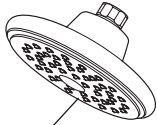
**A712**  
 Traditional Accent

**RP34349▲†**  
 Finial  
 Pomo  
 Grain

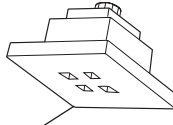
**RP34357▲**  
 Tub Spout/Pull-Up Diverter  
 Tubo de Salida para Bañera/  
 Botón Desviador de Alzar  
 Bec/avec dérivation à trette

\* Refer to page 18 for more information. / Consulte con la página 18 para más información. / Pour obtenir de plus amples renseignements, reportez-vous à la page 18.

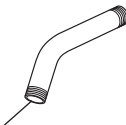
**T17078, T17278, T17278-H2O, T17478 & T17478-H2O**  
**Models / Modelos / Modèles**



**RP51305▲**  
 Showerhead  
 Cabeza de Rogadora  
 Pomme de Douche



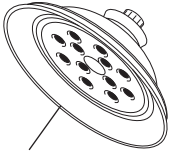
**RP51032▲**  
 Showerhead  
 Cabeza de Rogadora  
 Pomme de Douche



**RP6023▲**  
 Shower Arm  
 Brazo de la Rogadora  
 Tuyau de Pomme de Douche



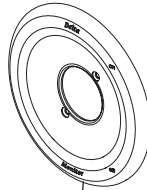
**RP6025▲**  
 Shower Flange  
 Pestaña de la Rogadora  
 Colerette



**RP70172▲**  
 Showerhead  
 Cabeza de Rogadora  
 Pomme de Douche

**RP196▲**  
 Trim Screws/Atornillos de  
 Franja/Vis de Finition  
**RP12630▲**  
 For Longer Screws  
 Para Tornillos Más Grandes  
 Pour Vis Plus Longues

**\* RP46463**  
 Cartridge Assembly  
 Cartucho  
 Cartouche



**RP28795▲**  
 Escutcheon  
 Roseta  
 Rosace avec Orifice

**RP50880▲**  
 Trim Sleeve  
 Manga de Franja  
 Manchon de Finition



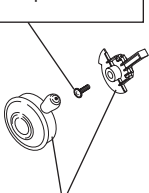
**RP23336**  
 O-Ring  
 Anillo "O"  
 Joint Torique

▲ Specify Finish  
 Especifica el Acabado  
 Précisez le Fini

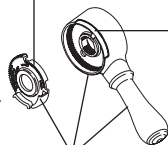
**RP32105**  
 Screw/Tornillo/Vis

**NOTE:** Do NOT overtighten screw.  
**NOTA:** NO apriete demasiado el tornillo.  
**NOTE :** NE serrez PAS trop la vis.

**RP32102**  
 Rotational Limit Stop  
 Tope para Limitar  
 Butée Rotative

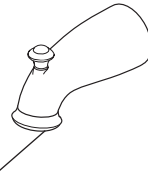


**RP51424▲**  
 Temperature Knob and Cover  
 Perilla de la Temperatura y Cubierta  
 Poignée de Réglage de Température



**RP51425▲**  
 Handle Assembly  
 Ensamble de la Manija  
 Poignée

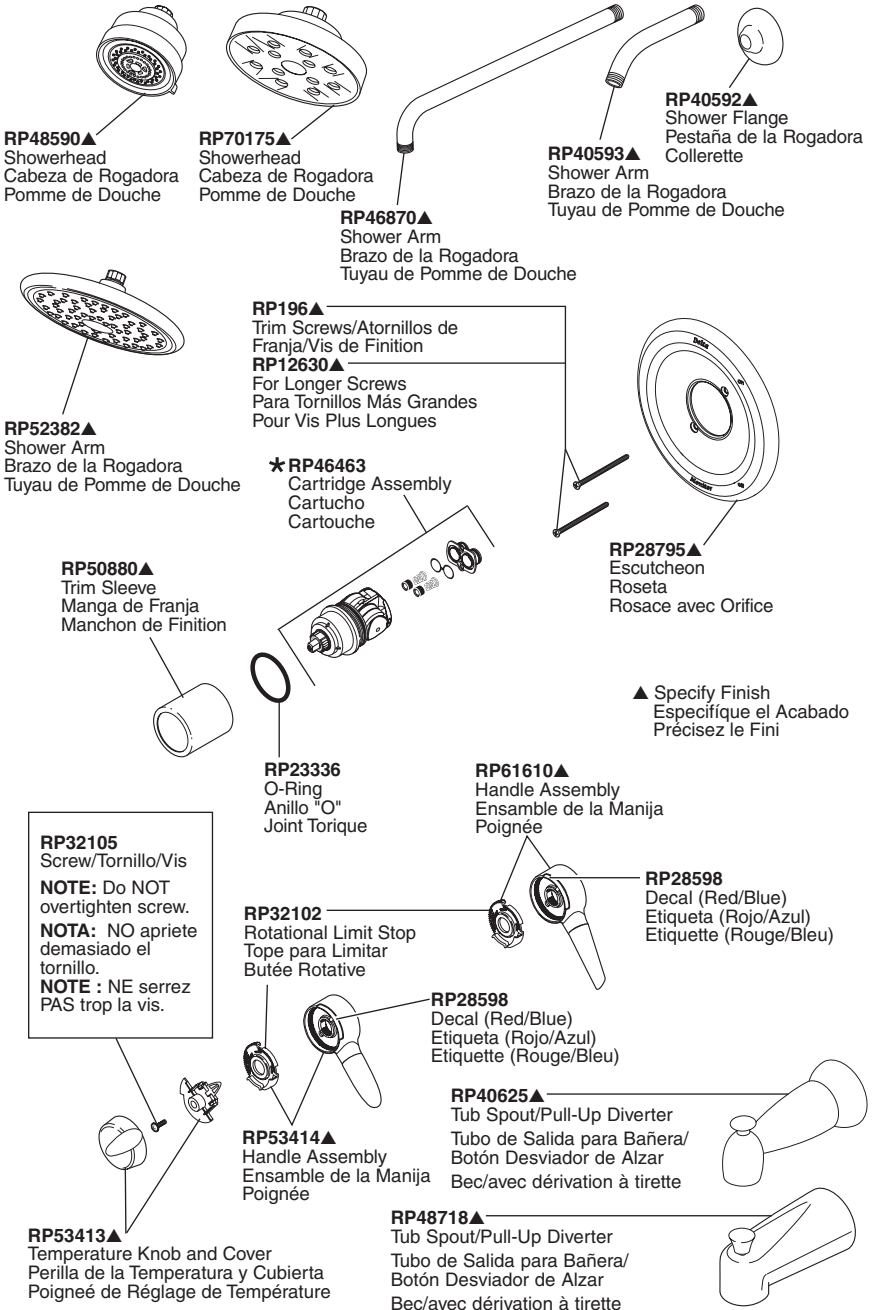
**RP28598**  
 Decal (Red/Blue)  
 Etiqueta (Rojo/Azul)  
 Etiquette (Rouge/Bleu)



**RP42915▲**  
 Tub Spout/Pull-Up Diverter  
 Tubo de Salida para Bañera/  
 Botón Desviador de Alzar  
 Bec/avec dérivation à tirette

\* Refer to page 18 for more information. / Consulte con la página 18 para más información. /  
 Pour obtenir de plus amples renseignements, reportez-vous à la page 18.

**T17082, T17085, T17282, T17285, T17285-H2O, T17482, T17485 & T17485-H2O Models / Modelos / Modèles**

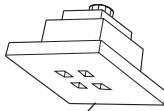


★ Refer to page 18 for more information. / Consultez con la página 18 para más información. / Pour obtenir de plus amples renseignements, reportez-vous à la page 18.

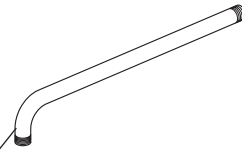
# T17086, T17286, & T17486 Models / Modelos / Modèles



**RP49760▲**  
Showerhead  
Cabeza de Rogadora  
Pomme de Douche



**RP51032▲**  
Showerhead  
Cabeza de Rogadora  
Pomme de Douche



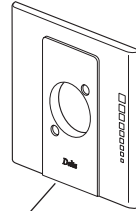
**RP46870▲**  
Shower Arm  
Brazo de la Rogadora  
Tuyau de Pomme de Douche



**RP46872▲**  
Shower Flange  
Pestaña de la Rogadora  
Collerette

**RP196▲**  
Trim Screws/Atornillos de Franja/Vis de Finition  
**RP12630▲**  
For Longer Screws  
Para Tornillos Más Grandes  
Pour Vis Plus Longues

**★ RP46463**  
Cartridge Assembly  
Cartucho  
Cartouche



**RP53420▲**  
Escutcheon  
Roseta  
Rosace avec Orifice

**RP50880▲**  
Trim Sleeve  
Manga de Franja  
Manchon de Finition



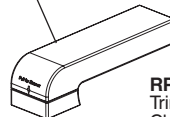
▲ Specify Finish  
Especifique el Acabado  
Précisez le Fini

**RP23336**  
O-Ring  
Anillo "O"  
Joint Torique

**RP49758▲**  
Tub Spout/Pull/Down Diverter  
Tubo de Salida para Bañera/Desviador de Halar  
Bec/avec dérivation sur embout

**RP32105**  
Screw/Tornillo/Vis  
**NOTE:** Do NOT overtighten screw.  
**NOTA:** NO apriete demasiado el tornillo.  
**NOTE :** NE serrez PAS trop la vis.

**RP32102**  
Rotational Limit Stop  
Tope para Limitar  
Butée Rotative



**RP49761▲**  
Trim Plate  
Chapa de guarnición  
Plaque de finition

**RP28598**  
Decal (Red/Blue)  
Etiqueta (Rojo/Azul)  
Etiquette (Rouge/Bleu)

**RP53418▲**  
Handle Assembly  
Ensamble de la Manija  
Poignée

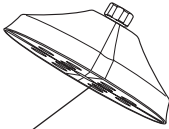
**RP53417▲**  
Temperature Knob and Cover  
Perilla de la Temperatura y Cubierta  
Poignée de Réglage de Température

**RP53419▲**  
Tub Spout/Pull-Up Diverter  
Tubo de Salida para Bañera/  
Botón Desviador de Alzar  
Bec/avec dérivation à tirette

★ Refer to page 18 for more information. / Consulte con la página 18 para más información. / Pour obtenir de plus amples renseignements, reportez-vous à la page 18.



# T17092, T17292 & T17492 Models / Modelos / Modèles



**RP61265▲**  
Showerhead  
Cabeza de Rogadora  
Pomme de Douche



**RP6023▲**  
Shower Arm  
Brazo de la Rogadora  
Tuyau de Pomme de Douche



**RP61266▲**  
Shower Flange  
Pestaña de la Rogadora  
Collerette

**RP196▲**  
Trim Screws/Atornillos de  
Franja/Vis de Finition

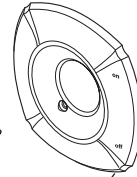
**RP12630▲**  
For Longer Screws  
Para Tornillos Más Grandes  
Pour Vis Plus Longues

★ **RP46463**  
Cartridge Assembly  
Cartucho  
Cartouche

**RP50880▲**  
Trim Sleeve  
Manga de Franja  
Manchon de Finition



**RP23336**  
O-Ring  
Anillo "O"  
Joint Torique



**RP61270▲**  
Escutcheon  
Roseta  
Rosace avec Orifice

▲ Specify Finish  
Especifique el Acabado  
Précisez le Fini

**RP54863▲**  
Tub Spout/Non Diverter  
Tubo de Salida para Bañera/  
Sin Desviador  
Bec/Sans Dérivation

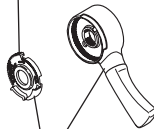
**RP32105**  
Screw/Tornillo/Vis

**NOTE:** Do NOT  
overtighten screw.

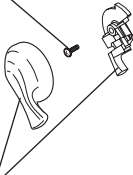
**NOTA:** NO apriete  
demasiado el  
tornillo.

**NOTE:** NE serrez  
PAS trop la vis.

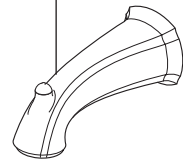
**RP32102**  
Rotational Limit Stop  
Tope para Limitar  
Butée Rotative



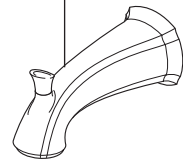
**RP61271▲**  
Handle Assembly  
Ensamble de la Manija  
Poignée



**RP61272▲**  
Temperature Knob and Cover  
Perilla de la Temperatura y Cubierta  
Poignée de Réglage de Température

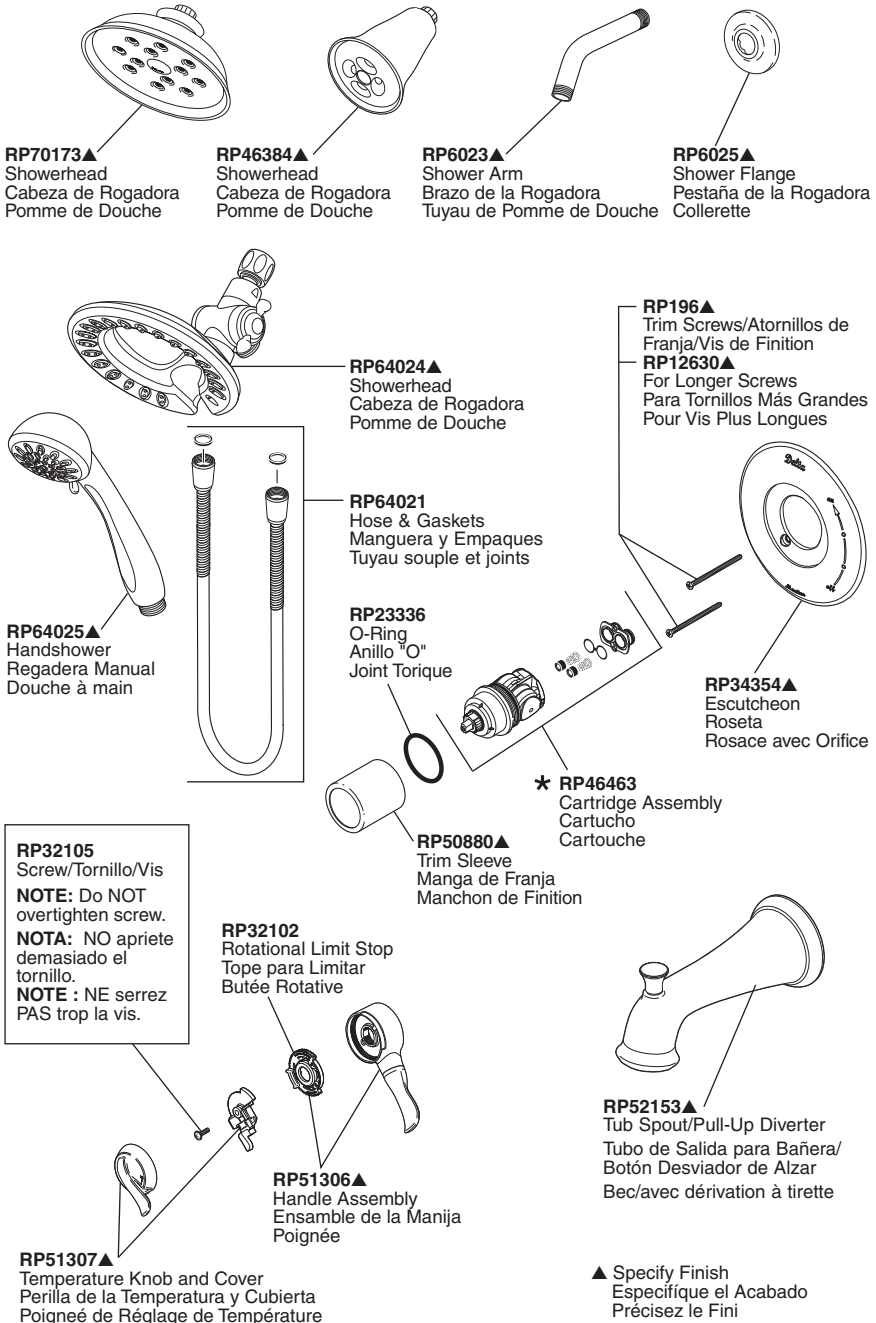


**RP61269▲**  
Tub Spout/Pull-Up Diverter  
Tubo de Salida para Bañera/  
Botón Desviador de Alzar  
Bec/avec dérivation à tirette



★ Refer to page 18 for more information. / Consultez con la página 18 para más información. /  
Pour obtenir de plus amples renseignements, reportez-vous à la page 18.

**T17094, T17294, T17294-H2O, T17494 & T17494-H2O**  
**Models / Modelos / Modèles**



\* Refer to page 16 for more information. / Consultez con la página 16 para más información. / Pour obtenir de plus amples renseignements, reportez-vous à la page 16.

# T17T030, T17T230 & T17T430 Models / Modelos / Modèles



**RP48686▲**  
Showerhead  
Cabeza de Regadera  
Pomme de Douche

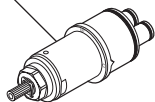


**RP40593▲**  
Shower Arm  
Brazo de Regadera  
Tuyau de Pomme de Douche



**RP38452▲**  
Shower Flange  
Pestaña de la Regadera  
Colerette

**★ RP47201**  
Cartridge Assembly  
Cartucho  
Cartouche



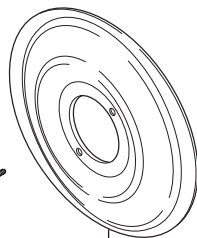
**RP50879▲**  
Trim Sleeve  
Manga de Franja  
Manchon de Finition



**RP23336**  
O-Ring  
Anillo "O"  
Joint Torique

**RP196▲**  
Trim Screws  
Atornillos de Franja  
Vis de Finition

**RP12630▲**  
For Longer Screws  
Para Tornillos Más Grandes  
Pour Vis Plus Longues



**RP47200▲**  
Escutcheon  
(Diag. Screw Holes)  
Chapetón  
(Huecos para los  
Tornillos Diagonales)  
Rosace  
(Trous de Vis  
en Diagonale)



**RP47198▲**  
Temperature Knob,  
Cover & Screw  
Perilla de la  
Temperatura, Cubierta  
y Tornillo  
Poignée de Réglage  
de Température et Vis

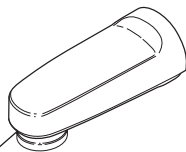


**RP50465**  
Set Screw &  
Wrench  
Tornillo de  
Ajuste y Llave  
Vis de calage  
et Clé

**RP47199▲**  
Handle Assembly  
Ensamble de la Manija  
Poignée

**A74▲**  
Handle Accent  
Acento para Manija  
Garniture de Poignée

**RP26852▲**  
Spindle  
Husillo  
Tige



**RP17453**  
**RP17454▲** (Metal/Metálico/Métal)  
Tub Spout/Pull-Down Diverter  
Tubo de Salida para Bañera/  
Desviador de Halar  
Bec/Avec Dérivation sur Embout

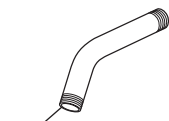
▲ Specify Finish  
Especifique el Acabado  
Précisez le Fini

★ Refer to page 18 for more information. / Consulte con la página 18 para más información. /  
Pour obtenir de plus amples renseignements, reportez-vous à la page 18.

# T17T038, T17T238 & T17T438 Models / Modelos / Modèles



**RP51305▲**  
Showerhead  
Cabeza de Regadera  
Pomme de Douche

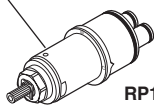


**RP6023▲**  
Shower Arm  
Brazo de Regadera  
Tuyau de Pomme de Douche



**RP6025▲**  
Shower Flange  
Pestaña de la Regadera  
Collerette

**★ RP47201**  
Cartridge Assembly  
Cartucho  
Cartouche



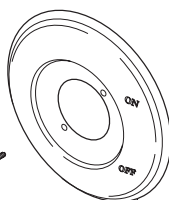
**RP50879▲**  
Trim Sleeve  
Manga de Franja  
Manchon de Finition



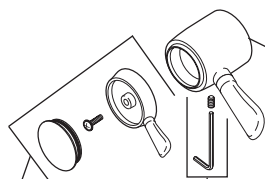
**RP23336**  
O-Ring  
Anillo "O"  
Joint Torique

**RP196▲**  
Trim Screws  
Atornillos de Franja  
Vis de Finition

**RP12630▲**  
For Longer Screws  
Para Tornillos Más Grandes  
Pour Vis Plus Longues



**RP48307▲**  
Escutcheon  
(Diag. Screw Holes)  
Chapetón  
(Huecos para los  
Tornillos Diagonales)  
Rosace  
(Trous de Vis  
en Diagonale)

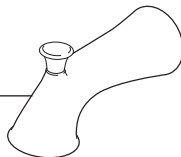


**RP51308▲**  
Handle Assembly  
Ensamble de la Manija  
Poignée

**RP51309▲**  
Temperature Knob,  
Cover & Screw  
Perilla de la  
Temperatura, Cubierta  
y Tornillo  
Poignée de Réglage  
de Température et Vis

**RP50465**  
Set Screw &  
Wrench  
Tornillo de  
Ajuste y Llave  
Vis de calage  
et Clé

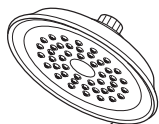
**RP51303▲**  
Tub Spout/Pull-Up Diverter  
Tubo de Salida para Bañera/  
Botón Desviador de Alzar  
Bec/avec dérivation à tirette



▲ Specify Finish  
Especifique el Acabado  
Précisez le Fini

★ Refer to page 18 for more information. / Consulte con la página 18 para más información. /  
Pour obtenir de plus amples renseignements, reportez-vous à la page 18.

# T17T040, T17T240 & T17T440 Models / Modelos / Modèles



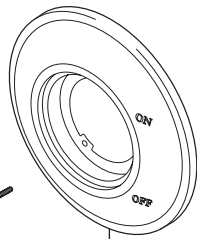
**RP42578▲**  
Showerhead  
Cabeza de Regadera  
Pomme de Douche



**RP40593▲**  
Shower Arm  
Brazo de Regadera  
Tuyau de Pomme de Douche



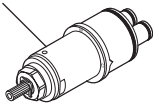
**RP38452▲**  
Shower Flange  
Pestaña de la Regadera  
Collerette



**RP48306▲**  
Escutcheon  
(Diag. Screw Holes)  
Chapetón  
(Huecos para los  
Tornillos Diagonales)  
Rosace  
(Trous de Vis  
en Diagonale)

**RP40590▲**  
Trim Ring  
Aro de accesorio  
Anneau décoratif

**\* RP47201**  
Cartridge Assembly  
Cartucho  
Cartouche



**RP50879▲**  
Trim Sleeve  
Manga de Franja  
Manchon de Finition



**RP196▲**  
Trim Screws  
Atornillos de Franja  
Vis de Finition

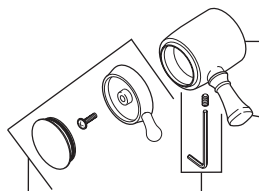
**RP12630▲**  
For Longer Screws  
Para Tornillos Más Grandes  
Pour Vis Plus Longues

**RP23336**  
O-Ring  
Anillo "O"  
Joint Torique



**RP48308▲**  
Handle Assembly  
Ensamble de la Manija  
Poignée

**RP48309▲**  
Handle Accent  
Acento para Manija  
Garniture de Poignée

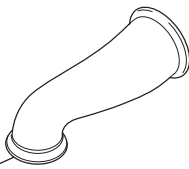


**RP47198▲**  
Temperature Knob,  
Cover & Screw  
Perilla de la  
Temperatura, Cubierta  
y Tornillo  
Poignée de Réglage  
de Température et Vis

**RP50465**  
Set Screw &  
Wrench  
Tornillo de  
Ajuste y Llave  
Vis de calage  
et Clé

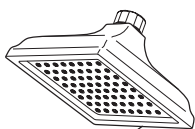
▲ Specify Finish  
Especifique el Acabado  
Précisez le Fini

**RP42576▲**  
Tub Spout/Pull-Down Diverter  
Tubo de Salida para Bañera/Desviador de Halar  
Bec/Avec Dérivation sur Embout

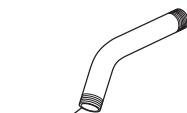


★ Refer to page 18 for more information. / Consulte con la página 18 para más información. /  
Pour obtenir de plus amples renseignements, reportez-vous à la page 18.

# T17T051, T17T251 & T17T451 Models / Modelos / Modèles



**RP62283▲**  
Showerhead  
Cabeza de Regadera  
Pomme de Douche



**RP6023▲**  
Shower Arm  
Brazo de Regadera  
Tuyau de Pomme de Douche

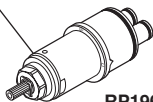


**RP52144▲**  
Shower Flange  
Pestaña de la Regadera  
Collerette

**RP50879▲**  
Trim Sleeve  
Manga de Franja  
Manchon de Finition



**\* RP47201**  
Cartridge Assembly  
Cartucho  
Cartouche

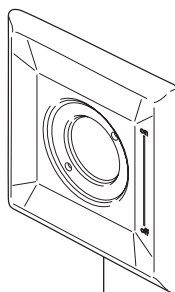


**RP23336**  
O-Ring  
Anillo "O"  
Joint Torique

**RP196▲**  
Trim Screws  
Atornillos de Franja  
Vis de Finition

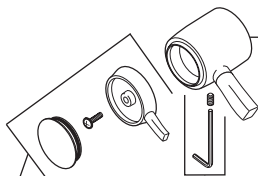


**RP12630▲**  
For Longer Screws  
Para Tornillos Más Grandes  
Pour Vis Plus Longues



**RP52583▲**  
Escutcheon  
(Diag. Screw Holes)  
Chapetón  
(Huecos para los  
Tornillos Diagonales)  
Rosace  
(Trous de Vis  
en Diagonale)

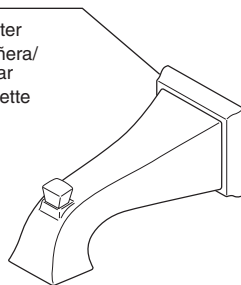
**RP52585▲**  
Temperature Knob,  
Cover & Screw  
Perilla de la  
Temperatura, Cubierta  
y Tornillo  
Poignée de Réglage  
de Température et Vis



**RP50465**  
Set Screw &  
Wrench  
Tornillo de  
Ajuste y Llave  
Vis de calage  
et Clé

**RP52584▲**  
Handle Assembly  
Ensamble de la Manija  
Poignée

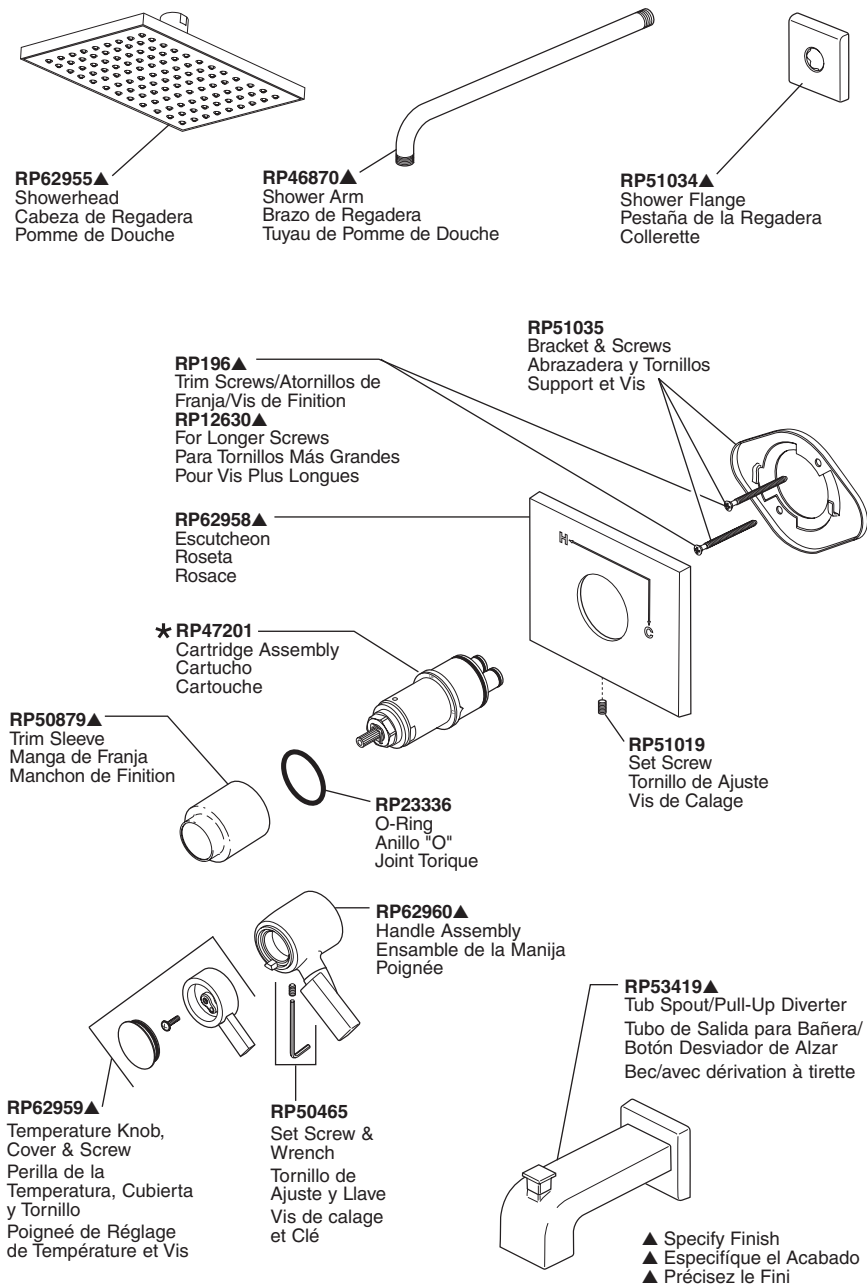
**RP52148▲**  
Tub Spout/Pull-Up Diverter  
Tubo de Salida para Bañera/  
Botón Desviador de Alzar  
Bec/avec dérivation à tirette



▲ Specify Finish  
Especifique el Acabado  
Précisez le Fini

\* Refer to page 18 for more information. / Consulte con la página 18 para más información. /  
Pour obtenir de plus amples renseignements, reportez-vous à la page 18.

# T17T053, T17T253 & T17T453 Models / Modelos / Modèles

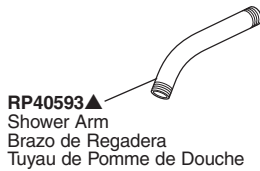


★ Refer to page 18 for more information. / Consulte con la página 18 para más información. / Pour obtenir de plus amples renseignements, reportez-vous à la page 18.

# T17T055, T17T255 & T17T455 Models / Modelos / Modèles



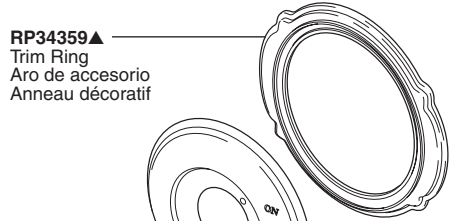
**RP34355▲**  
Showerhead  
Cabeza de Regadera  
Pomme de Douche



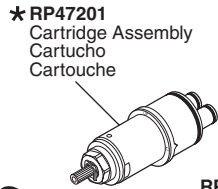
**RP40593▲**  
Shower Arm  
Brazo de Regadera  
Tuyau de Pomme de Douche



**RP34356▲**  
Shower Flange  
Pestaña de la Regadera  
Collerette



**RP34359▲**  
Trim Ring  
Aro de accesorio  
Anneau décoratif



**★ RP47201**  
Cartridge Assembly  
Cartucho  
Cartouche

**RP50879▲**  
Trim Sleeve  
Manga de Franja  
Manchon de Finition

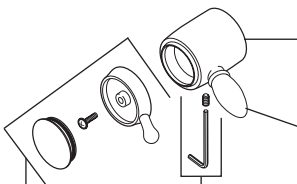


**RP23336**  
O-Ring  
Anillo "O"  
Joint Torique

**RP196▲**  
Trim Screws  
Atornillos de Franja  
Vis de Finition

**RP12630▲**  
For Longer Screws  
Para Tornillos Más Grandes  
Pour Vis Plus Longues

**RP48307▲**  
Escutcheon  
(Diag. Screw Holes)  
Chapetón  
(Huecos para los  
Tornillos Diagonales)  
Rosace  
(Trous de Vis  
en Diagonale)



**RP48310▲**  
Handle Assembly  
Ensamble de la Manija  
Poignée

**A716▲**  
Handle Accent  
Acento para Manija  
Garniture de Poignée

**RP47198▲**  
Temperature Knob,  
Cover & Screw  
Perilla de la  
Temperatura, Cubierta  
y Tornillo  
Poignée de Réglage  
de Température et Vis

**RP50465**  
Set Screw &  
Wrench  
Tornillo de  
Ajuste y Llave  
Vis de calage  
et Clé



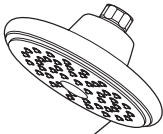
**RP34357▲**  
Tub Spout/Pull-Up Diverter  
Tubo de Salida para Bañera/  
Botón Desviador de Alzar  
Bec/avec dérivation à tirette

▲ Specify Finish  
Especifique el Acabado  
Précisez le Fini

★ Refer to page 18 for more information. / Consultez con la página 18 para más información. /  
Pour obtenir de plus amples renseignements, reportez-vous à la page 18.



# T17T078, T17T278 & T17T478 Models / Modelos / Modèles



**RP51305▲**  
Showerhead  
Cabeza de Regadera  
Pomme de Douche

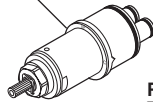


**RP6023▲**  
Shower Arm  
Brazo de Regadera  
Tuyau de Pomme de Douche



**RP6025▲**  
Shower Flange  
Pestaña de la Regadera  
Collerette

**★ RP47201**  
Cartridge Assembly  
Cartucho  
Cartouche



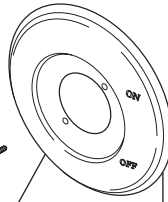
**RP50879▲**  
Trim Sleeve  
Manga de Franja  
Manchon de Finition



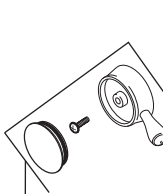
**RP23336**  
O-Ring  
Anillo "O"  
Joint Torique

**RP196▲**  
Trim Screws  
Atornillos de Franja  
Vis de Finition

**RP12630▲**  
For Longer Screws  
Para Tornillos Más Grandes  
Pour Vis Plus Longues



**RP48307▲**  
Escutcheon  
(Diag. Screw Holes)  
Chapetón  
(Huecos para los  
Tornillos Diagonales)  
Rosace  
(Trous de Vis  
en Diagonale)



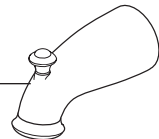
**RP51426▲**  
Temperature Knob,  
Cover & Screw  
Perilla de la  
Temperatura, Cubierta  
y Tornillo  
Poignée de Réglage  
de Température et Vis



**RP50465**  
Set Screw &  
Wrench  
Tornillo de  
Ajuste y Llave  
Vis de calage  
et Clé

**RP51427▲**  
Handle Assembly  
Ensamble de la Manija  
Poignée

**RP42915▲**  
Tub Spout/Pull-Up Diverter  
Tubo de Salida para Bañera/  
Botón Desviador de Alzar  
Bec/avec dérivation à tirette



▲ Specify Finish  
Especifique el Acabado  
Précisez le Fini

★ Refer to page 18 for more information. / Consulte con la página 18 para más información. /  
Pour obtenir de plus amples renseignements, reportez-vous à la page 18.

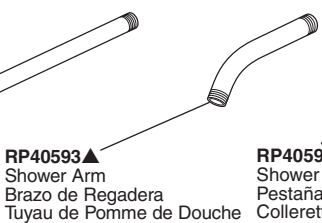
**T17T082, T17T085, T17T282, T17T285, T17T482 & T17T485**  
**Models / Modelos / Modèles**



**RP48590▲**  
 Showerhead  
 Cabeza de Regadera  
 Pomme de Douche



**RP46870▲**  
 Shower Arm  
 Brazo de Regadera  
 Tuyau de Pomme de Douche



**RP40593▲**  
 Shower Arm  
 Brazo de Regadera  
 Tuyau de Pomme de Douche



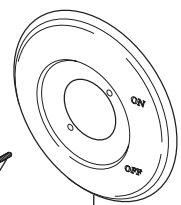
**RP40592▲**  
 Shower Flange  
 Pestaña de la Regadera  
 Colerette



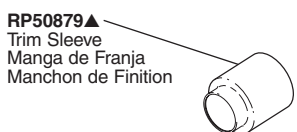
**RP52382▲**  
 Showerhead  
 Cabeza de Regadera  
 Pomme de Douche



**★RP47201**  
 Cartridge Assembly  
 Cartucho  
 Cartouche



**RP48307▲**  
 Escutcheon  
 (Diag. Screw Holes)  
 Chapeçon  
 (Huecos para los  
 Tornillos Diagonales)  
 Rosace  
 (Trous de Vis  
 en Diagonale)



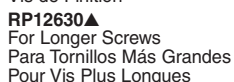
**RP50879▲**  
 Trim Sleeve  
 Manga de Franja  
 Manchon de Finition



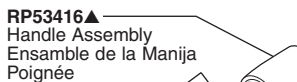
**RP23336**  
 O-Ring  
 Anillo "O"  
 Joint Torique



**RP196▲**  
 Trim Screws  
 Atornillos de Franja  
 Vis de Finition



**RP12630▲**  
 For Longer Screws  
 Para Tornillos Más Grandes  
 Pour Vis Plus Longues



**RP53416▲**  
 Handle Assembly  
 Ensemble de la Manija  
 Poignée



**RP50465**  
 Set Screw & Wrench  
 Tornillo de Ajuste y Llave  
 Vis de calage et Clé



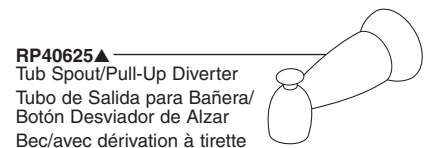
**RP61612▲**  
 Handle Assembly  
 Ensemble de la Manija  
 Poignée



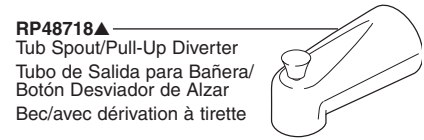
**RP53415▲**  
 Temperature Knob,  
 Cover & Screw  
 Perilla de la Temperatura,  
 Cubierta y Tornillo  
 Poignée de Réglage  
 de Température et Vis



**RP61611▲**  
 Temperature Knob,  
 Cover & Screw  
 Perilla de la Temperatura,  
 Cubierta y Tornillo  
 Poignée de Réglage  
 de Température et Vis



**RP40625▲**  
 Tub Spout/Pull-Up Diverter  
 Tubo de Salida para Bañera/  
 Botón Desviador de Alzar  
 Bec/avec dérivation à tirette



**RP48718▲**  
 Tub Spout/Pull-Up Diverter  
 Tubo de Salida para Bañera/  
 Botón Desviador de Alzar  
 Bec/avec dérivation à tirette

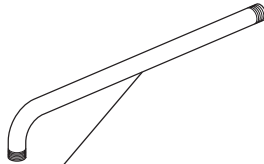
▲ Specify Finish  
 Especifique el Acabado  
 Précisez le Fini

★ Refer to page 18 for more information. / Consultez con la página 18 para más información. /  
 Pour obtenir de plus amples renseignements, reportez-vous à la page 18.

# T17T086, T17T286 & T17T486 Models / Modelos / Modèles



**RP49760▲**  
Showerhead  
Cabeza de Regadera  
Pomme de Douche



**RP46870▲**  
Shower Arm  
Brazo de Regadera  
Tuyau de Pomme de Douche

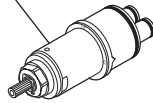


**RP46872▲**  
Shower Flange  
Pestaña de la Regadera  
Collerette

**RP50879▲**  
Trim Sleeve  
Manga de Franja  
Manchon de Finition



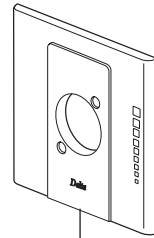
**★ RP47201**  
Cartridge Assembly  
Cartucho  
Cartouche



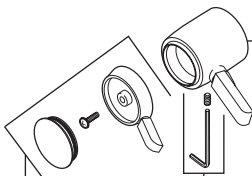
**RP23336**  
O-Ring  
Anillo "O"  
Joint Torique

**RP196▲**  
Trim Screws  
Atornillos de Franja  
Vis de Finition

**RP12630▲**  
For Longer Screws  
Para Tornillos Más Grandes  
Pour Vis Plus Longues



**RP53420▲**  
Escutcheon  
(Diag. Screw Holes)  
Chapetón  
(Huecos para los  
Tornillos Diagonales)  
Rosace  
(Trous de Vis  
en Diagonale)



**RP53421▲**  
Temperature Knob,  
Cover & Screw  
Perilla de la  
Temperatura, Cubierta  
y Tornillo  
Poignée de Réglage  
de Température et Vis

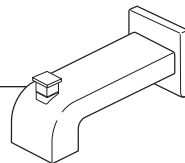


**RP53422▲**  
Handle Assembly  
Ensamble de la Manija  
Poignée

**RP50465**  
Set Screw &  
Wrench  
Tornillo de  
Ajuste y Llave  
Vis de calage  
et Clé

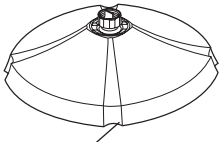
**▲ Specify Finish**  
Especifique el Acabado  
Précisez le Fini

**RP53419▲**  
Tub Spout/Pull-Up Diverter  
Tubo de Salida para Bañera/  
Botón Desviador de Alzar  
Bec/avec dérivation à tirette

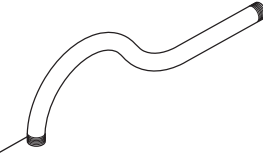


★ Refer to page 18 for more information. / Consulte con la página 18 para más información. /  
Pour obtenir de plus amples renseignements, reportez-vous à la page 18.

# T17T092, T17T292 & T17T492 Models / Modelos / Modèles



**RP61274▲**  
Showerhead  
Cabeza de Regadera  
Pomme de Douche



**RP61273▲**  
Shower Arm  
Brazo de Regadera  
Tuyau de Pomme de Douche

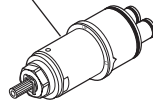


**RP61266▲**  
Shower Flange  
Pestaña de la Regadera  
Collerette

**RP50879▲**  
Trim Sleeve  
Manga de Franja  
Manchon de Finition



**★ RP47201**  
Cartridge Assembly  
Cartucho  
Cartouche



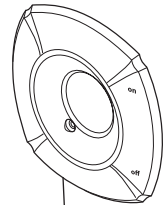
**RP23336**  
O-Ring  
Anillo "O"  
Joint Torique



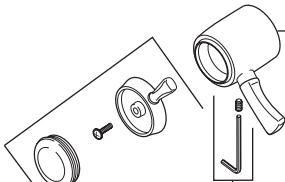
**RP196▲**  
Trim Screws  
Atornillos de Franja  
Vis de Finition



**RP12630▲**  
For Longer Screws  
Para Tornillos Más Grandes  
Pour Vis Plus Longues



**RP61270▲**  
Escutcheon  
(Diag. Screw Holes)  
Chapetón  
(Huecos para los  
Tornillos Diagonales)  
Rosace  
(Trous de Vis  
en Diagonale)



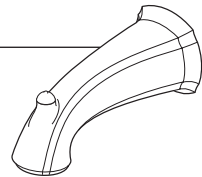
**RP61276▲**  
Temperature Knob,  
Cover & Screw  
Perilla de la  
Temperatura, Cubierta  
y Tornillo  
Poignée de Réglage  
de Température et Vis



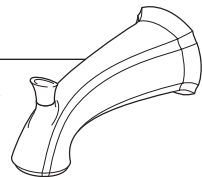
**RP61275▲**  
Handle Assembly  
Ensamble de la Manija  
Poignée

**RP50465**  
Set Screw &  
Wrench  
Tornillo de  
Ajuste y Llave  
Vis de calage  
et Clé

**RP54863▲**  
Tub Spout/Non Diverter  
Tubo de Salida para Bañera/  
Sin Desviador  
Bec/Sans Dérivation



**RP61269▲**  
Tub Spout/Pull-Up Diverter  
Tubo de Salida para Bañera/  
Botón Desviador de Alzar  
Bec/avec dérivation à tirette



▲ Specify Finish  
Especifique el Acabado  
Précisez le Fini

★ Refer to page 18 for more information. / Consulte con la página 18 para más información. / Pour obtenir de plus amples renseignements, reportez-vous à la page 18.

**Notes / Notas / Notes**



Delta Faucet Company  
Product Service  
55 E. 111th Street  
Indianapolis, IN 46280

---